



8M Camera Sensor Module USB2.0 IMX179

Key Properties

IMX179 Image Sensor

MJPEG/YUY Format

Frame Rate: 15fps for 3264(H) x 2448(V)

30fps for 1920(H) x 1080(V)

S-mount M5 Lens Holder

Lenses Type -Standard: FOV (H) 68°Auto Focus,



Application

Portable Media / Robot Vision Camera/ Image Recognition

Laser Sensing / DIY Camera Solution

Feature

- ◆ 8M(3264x2448) image sensor IMX179
 - Low illumination and high dynamic range sensor
- ◆ Megapixel M5 lenses optional
- ◆ MJPEG compressed format output support
- ◆ UVC support, plug and play for Windows and Linux

Introduction

CM8M30M5L is an 8MP (3264x2448) USB camera sensor module using 1/3.2" IMX179 designed for high resolution and high dynamic range scene performance. CM8M30M5L is an ideal solution of small USB camera module for low light and high dynamic range applications like backlighting image and face recognition. It has S-mount (M5) lens holder for enabling the users to choose the lens and any spectral filter as per their requirements. It is a Plug-and-Play camera (UVC compliant) for Windows, Linux.



Specifications

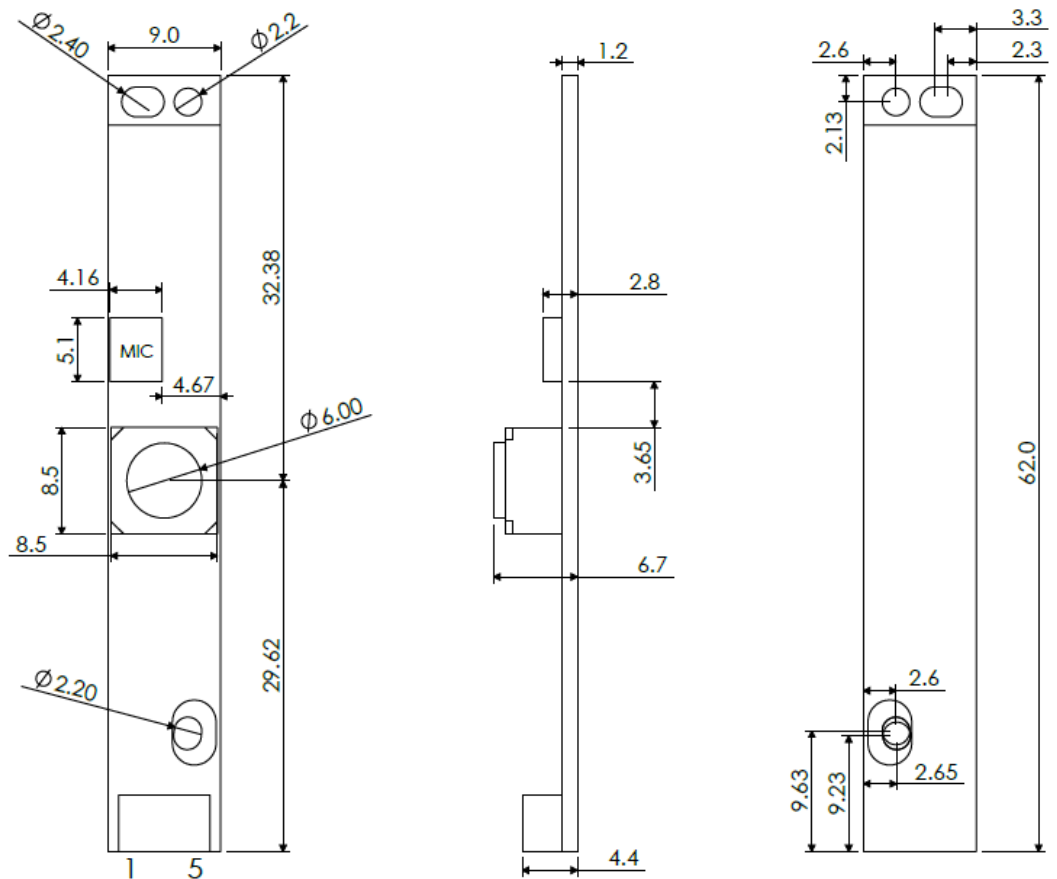
Model	CM8M30M5L
Sensor	IMX179
Image Size	1/3.2 inch
Pixel Size	1.4 μm
Image Area	4569 μm x 3833 μm
Image Pixels & Resolution	3264(H) x 2448(V)
Image Formats	MJPEG / YUY2 (YUYV)
Image Transfer Rate	MJPEG: 640x480@30fps/ 800x600@30fps/1280x720@30fps 1920x1080@25fps/2048x1536@15fps 2952x1944@15fps/3264x2448@15fps YUY2: 320x240@30fps/640x480@30fps/1280x720@10fps/ 1600x1200@5fps/1920x1080@5fps
Max S/N Ratio	34dB
Dynamic Range	72.5dB
Sensitivity	650mV/lux-sec@550nm
Mini illumination	0.5 lux
Shutter Type	Electronic rolling shutter
Connecting Port	USB2.0 High Speed
OTG Protocol	USB2.0 OTG
Plug & Play	UVC(USB Video Class) Compliant support
Auto Exposure Control (AEC)	Support
Auto White Balance (AWB)	Support
Auto Focus Control (AFC)	Support
Adjustable Parameters	Brightness, Contrast, Hue, Saturation, Sharpness, Gamma, Gain White Balance, Backlight Contrast, Exposure
Lens Parameters	FOV(H)68°Auto Focus
Lens Holder	Standard M5 lens holder
Power Supply	USB BUS POWER 5P-1.0mm Socket
Operating Voltage	DC 5V
Operating Current	120mA
Operating Temperature	-20 ~ 70°C
Storage Temperature	-20 ~ 105°C
PCBA Dimensions	9mm x 62mm
Weight	~3.0g

Specifications are subject to change without notice.



Operating System Request	WinXP/Vista/Win7/Win8/Win10 MAC OSX El captain 10.11.4/Linux/Android
--------------------------	---

Sensor Board Drawings



PIN	
1	VCC-5V
2	D-
3	D+
4	GND
5	GND

