
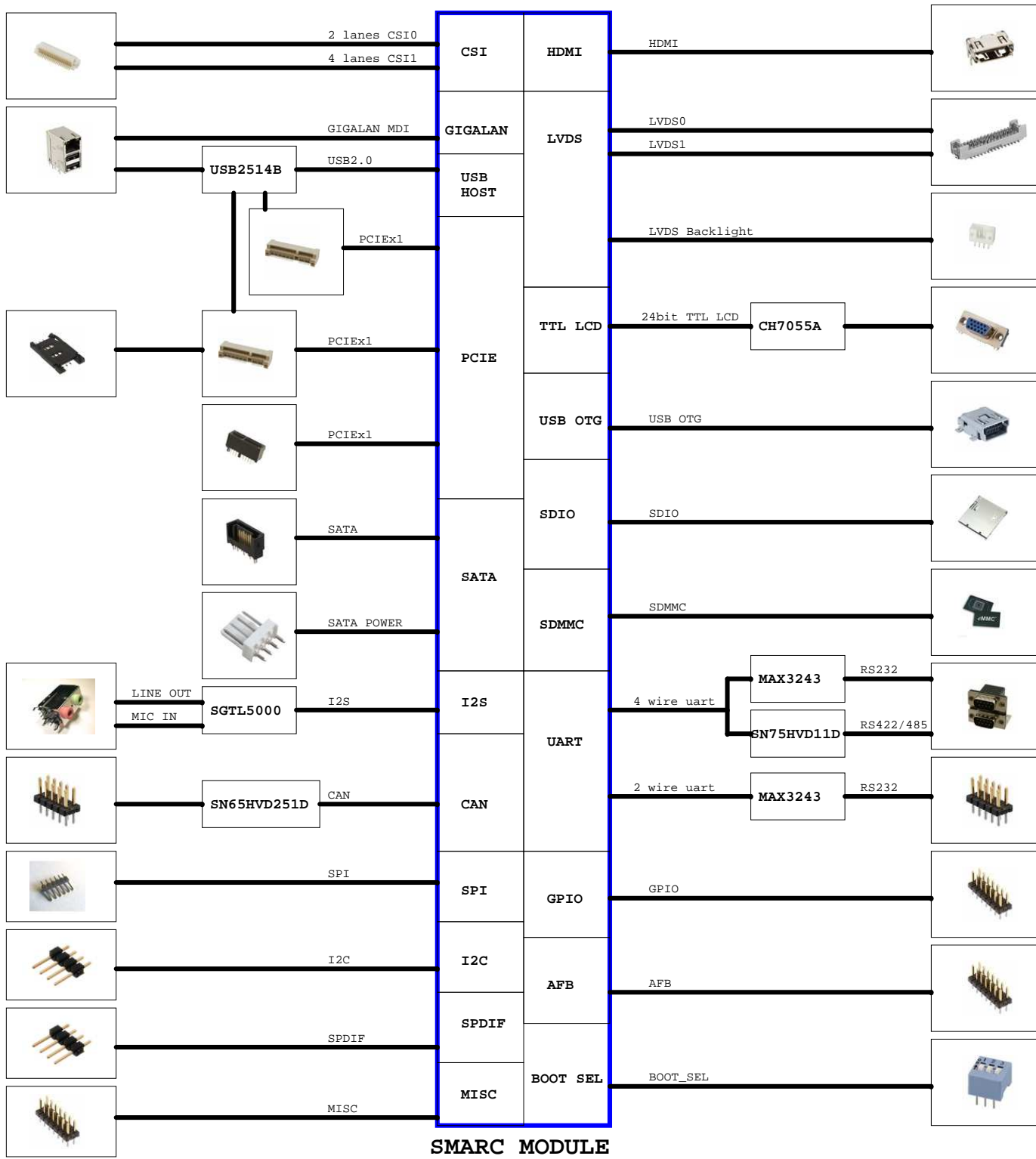


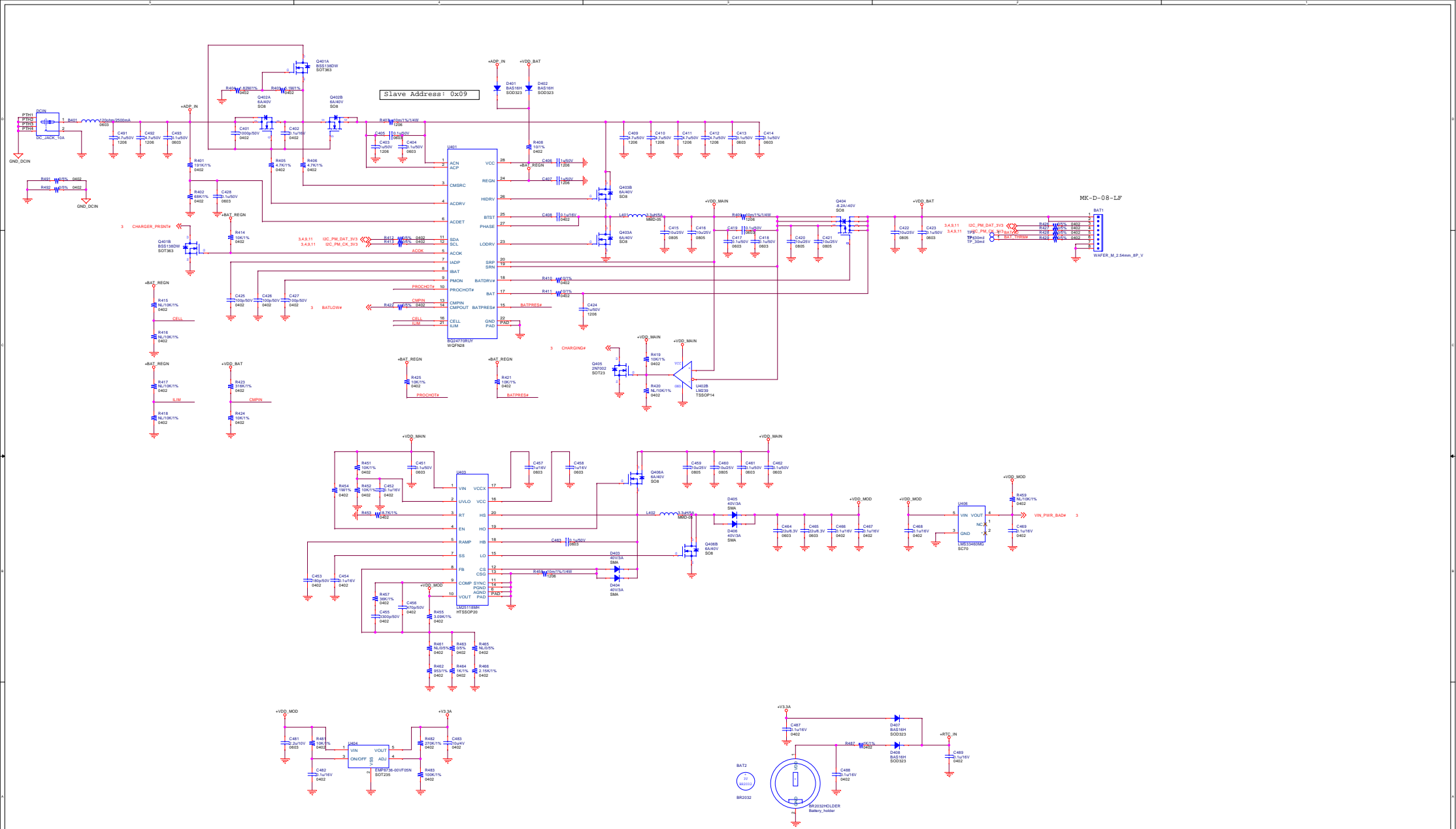
01_COVER_PAGE
02_BLOCK DIAGRAM
03_SMARC MXM3 Connector
04_VIN, SMART Charger & VDD_MOD
05_+V3, +VDD_IO
06_+V5, +V12
07_HDMI, VGA
08_LVDS, Camera
09_PCIE
10_USB, LAN
11_SATA, EMMC, SD and EEPROM
12_I2S, SPDIF and buzzer
13_UART, CAN
14_GPIO, I2C, SPI, AFB
15_MISC, Button
16_HISTORY

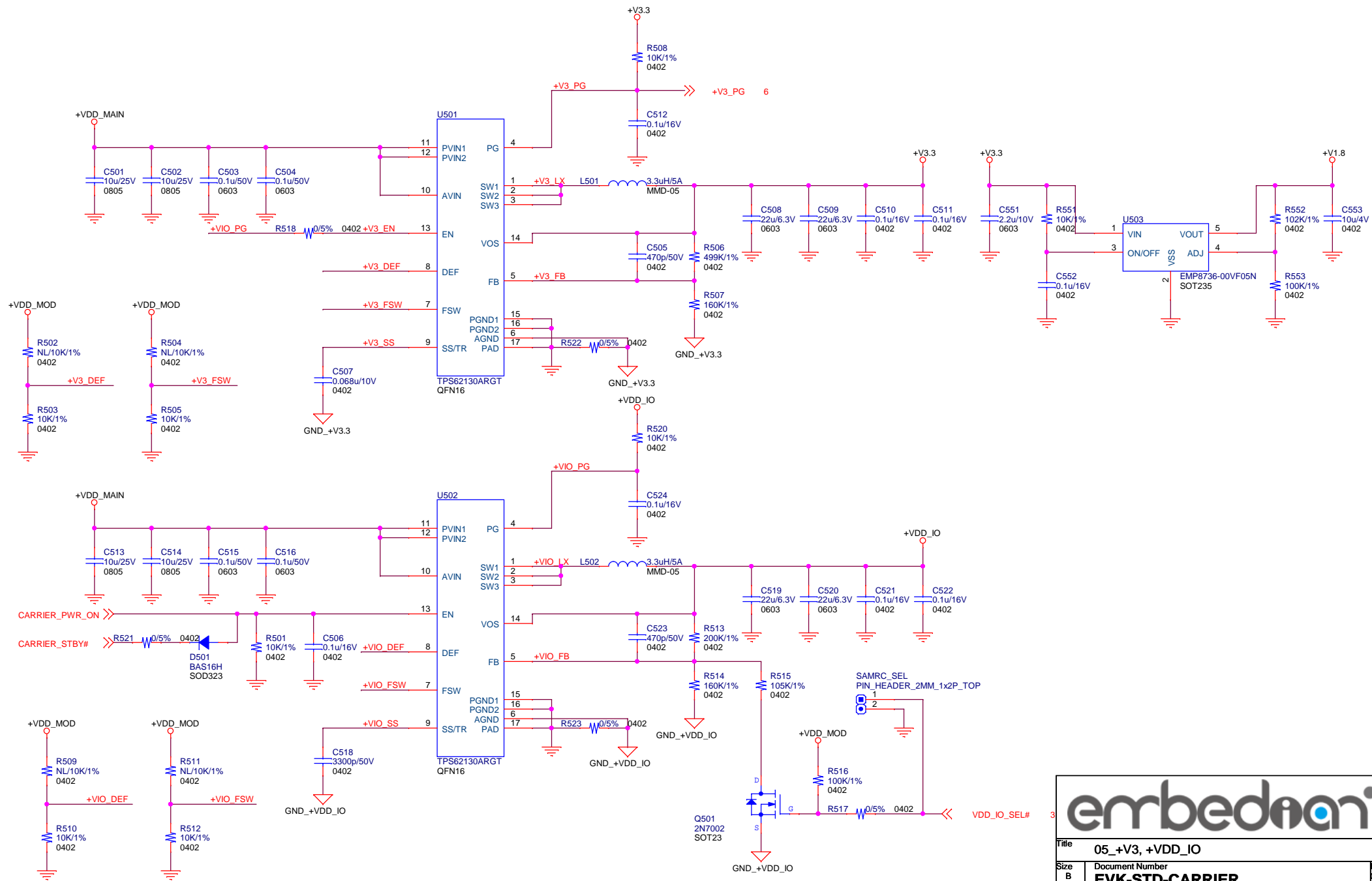
			
Title		01_COVER_PAGE	
Size	Document Number	Rev	
B	EVK-STD-CARRIER	00A0	
Date:	Friday, March 13, 2015	Sheet	1 of 16



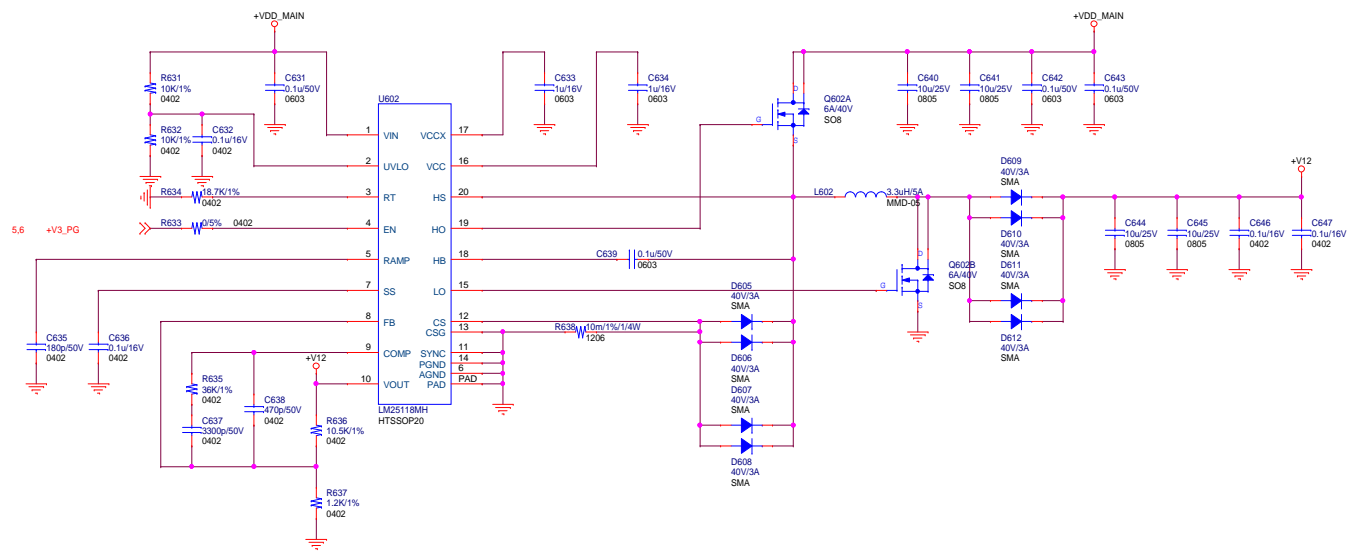
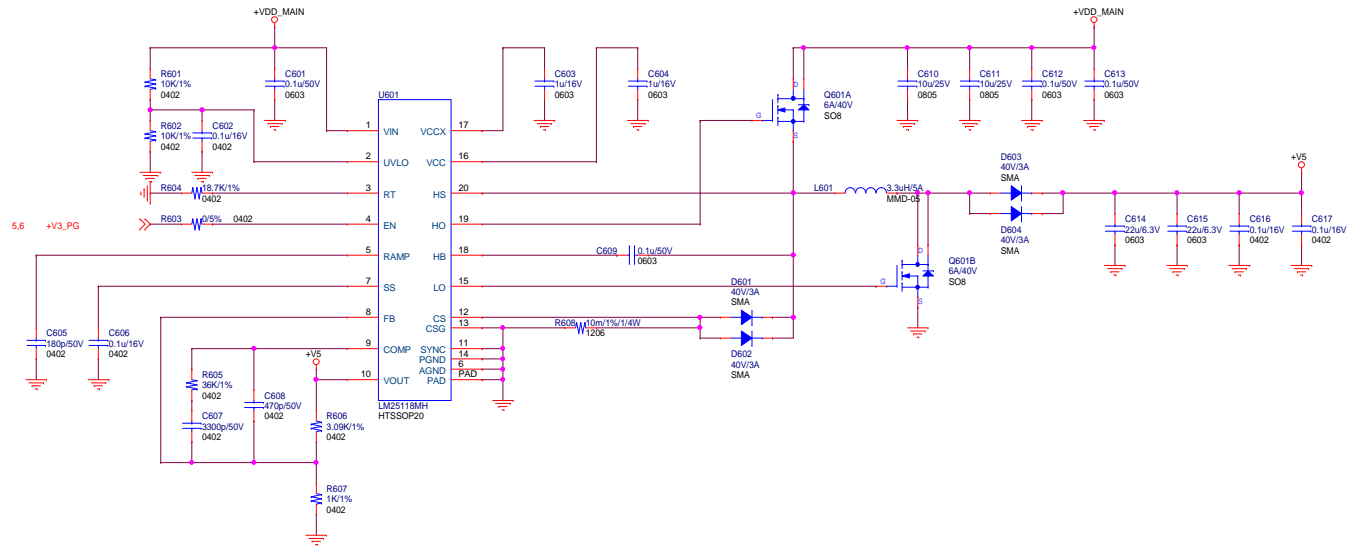
SMARC MODULE

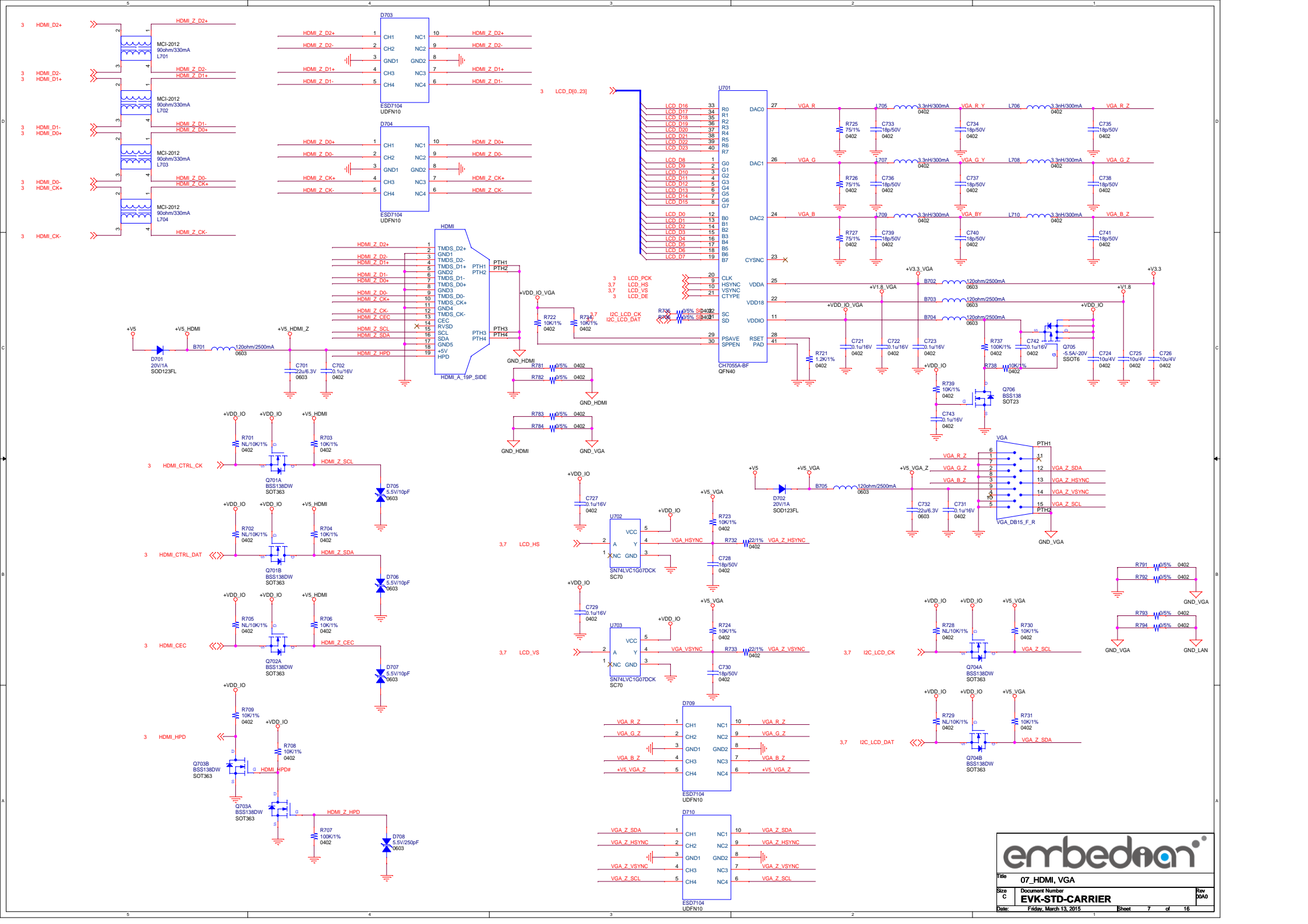


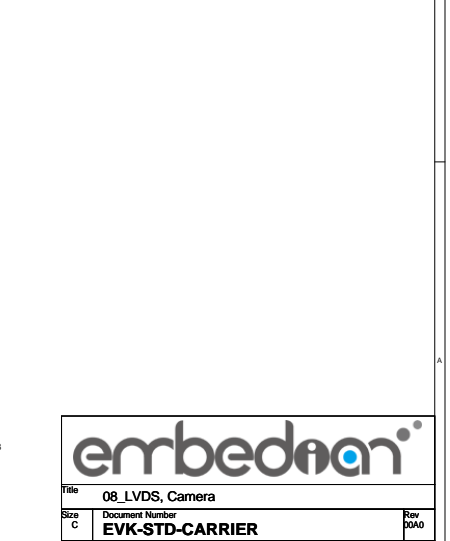
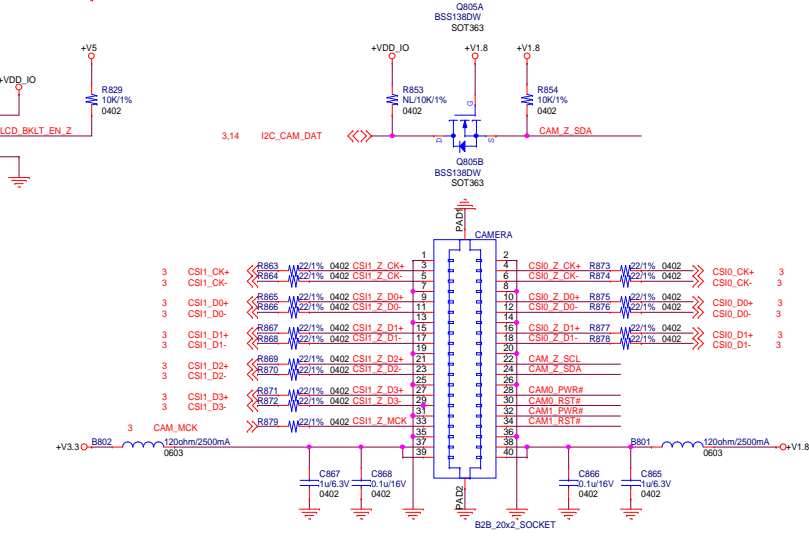
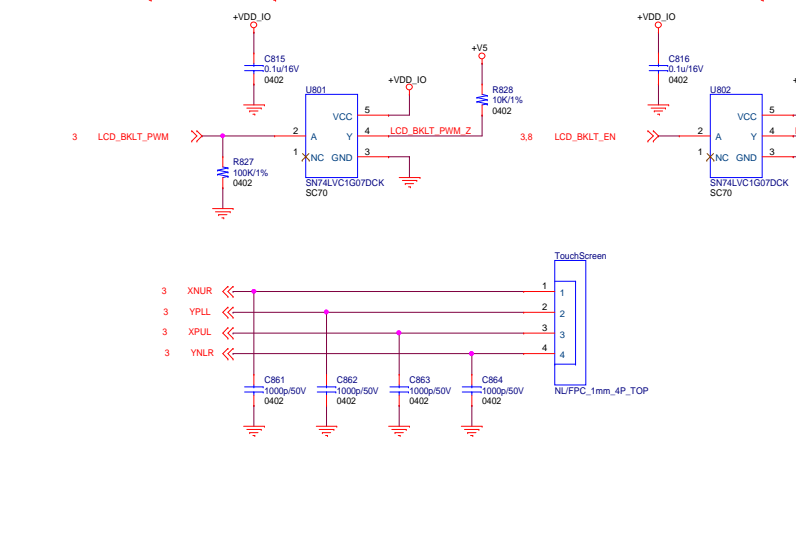
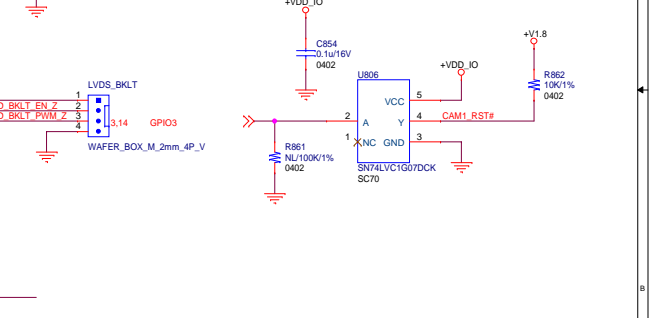
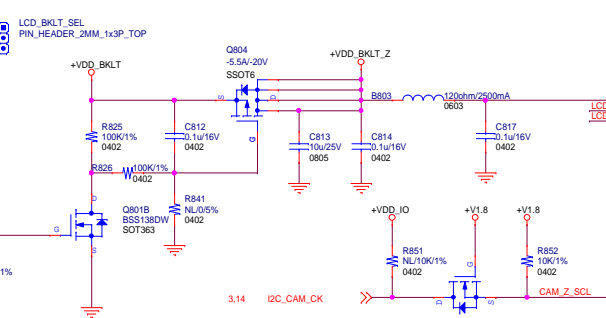
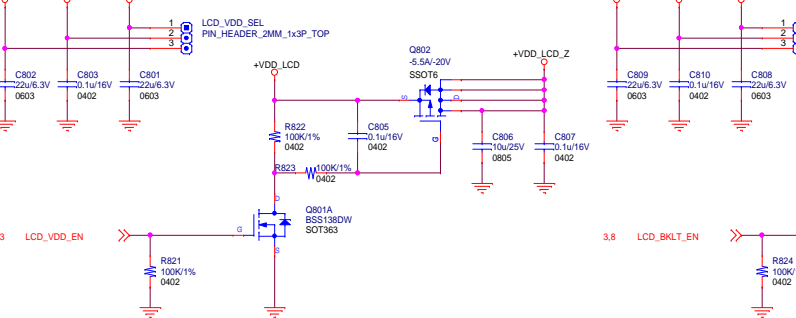
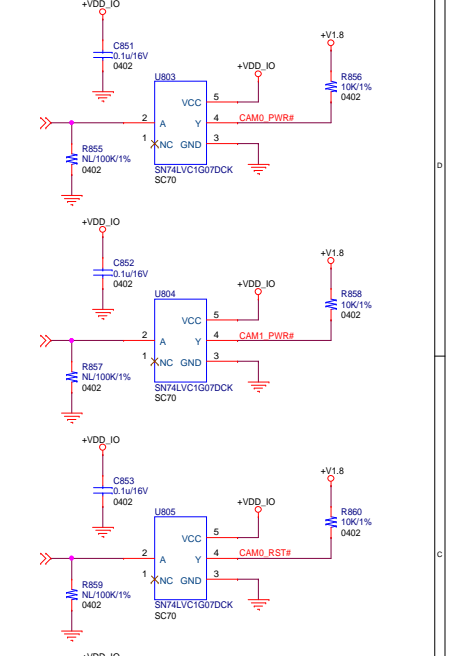
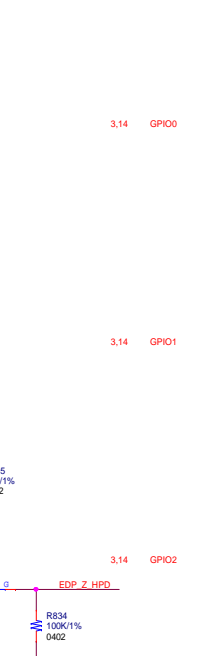
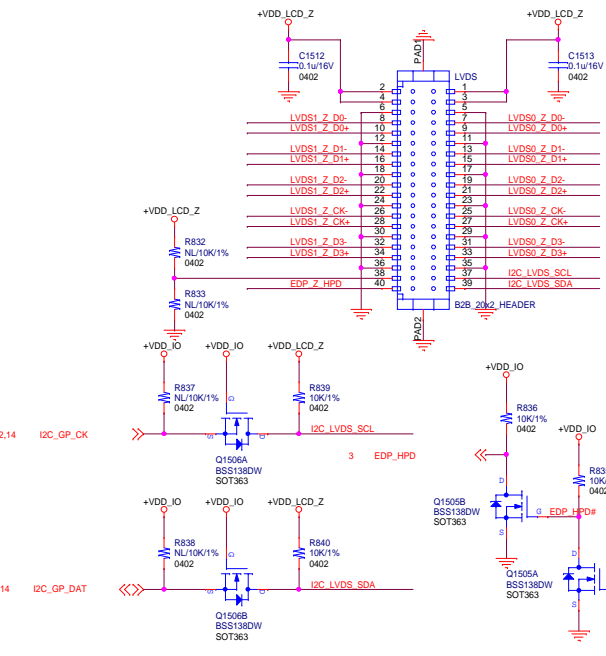
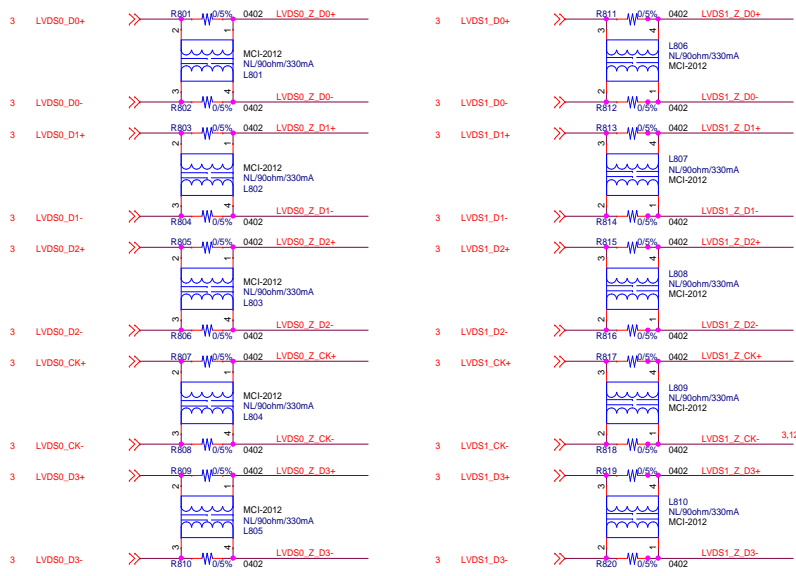


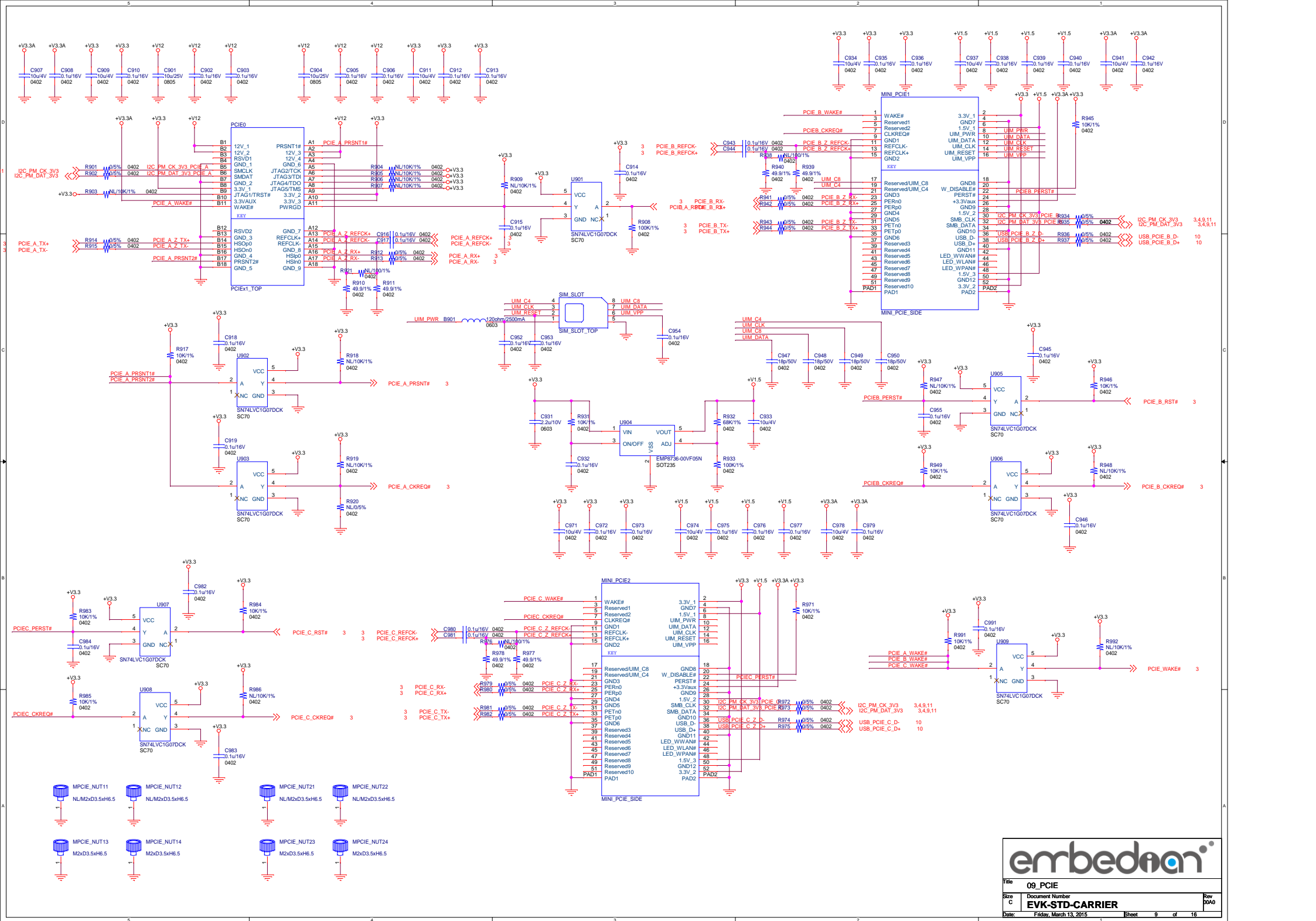


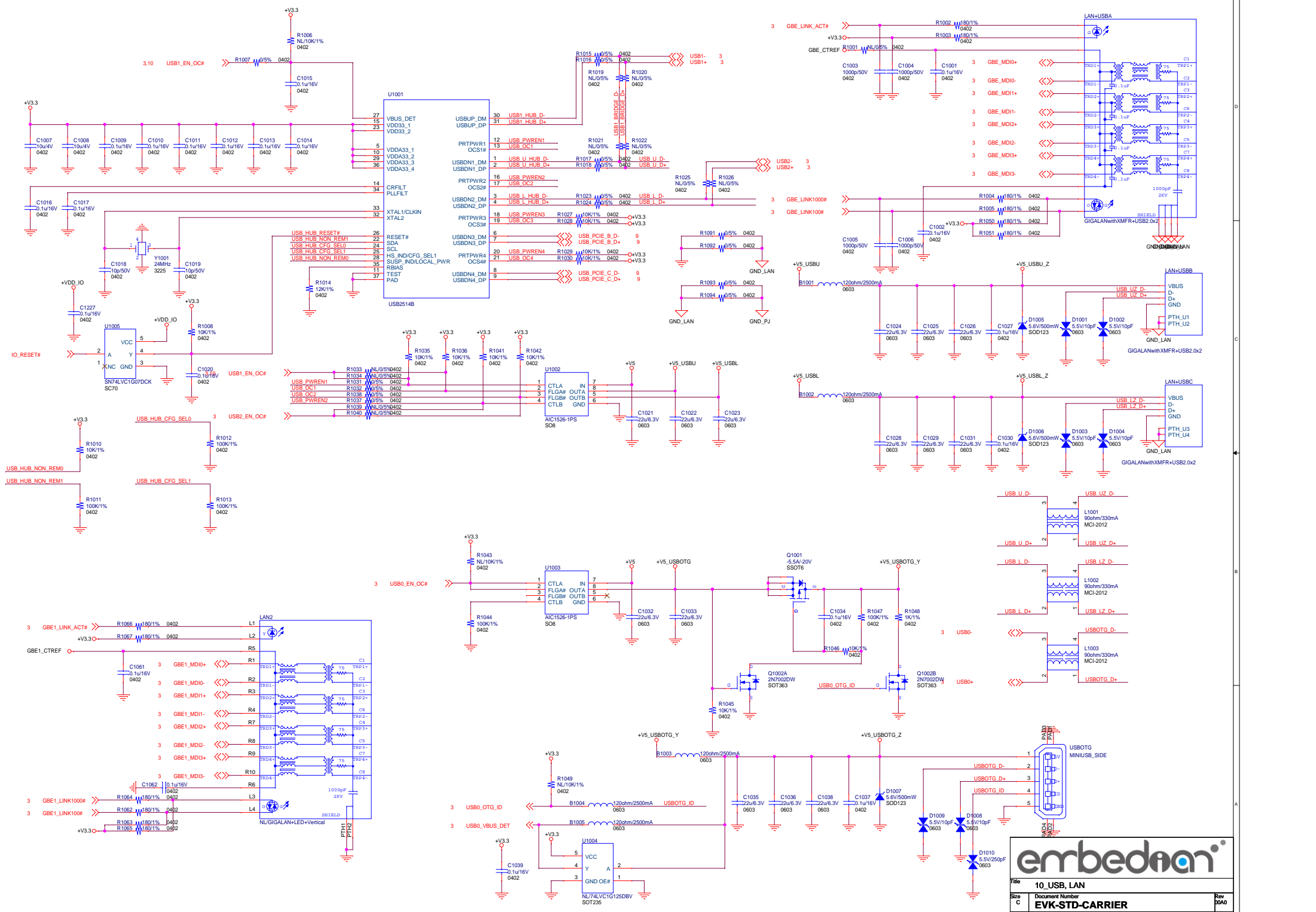
Title		
05_+V3, +VDD_IO		
Size		
Document Number		Rev
EVK-STD-CARRIER		00A0
Date: Friday, March 13, 2015		
Sheet		5 of 16







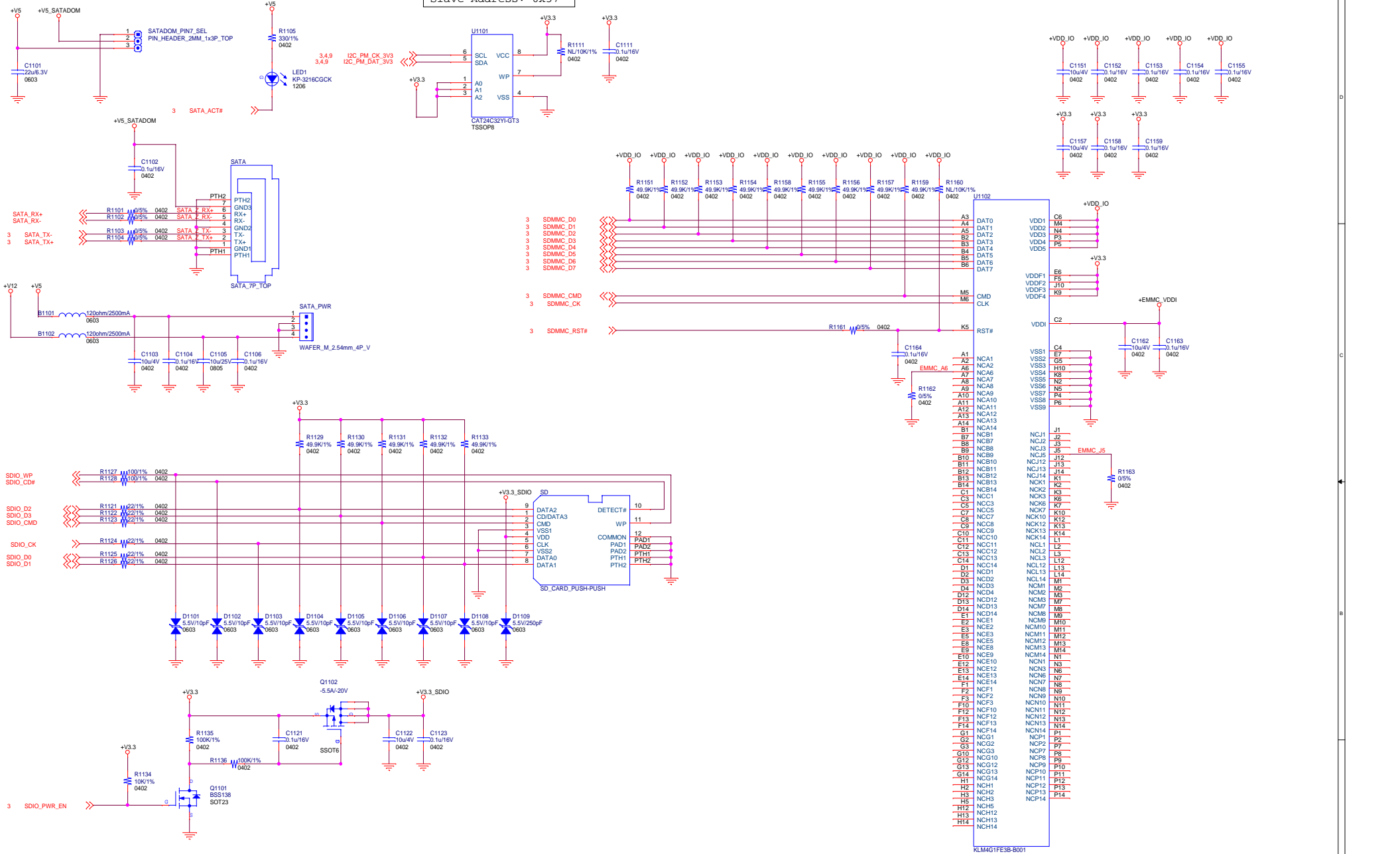


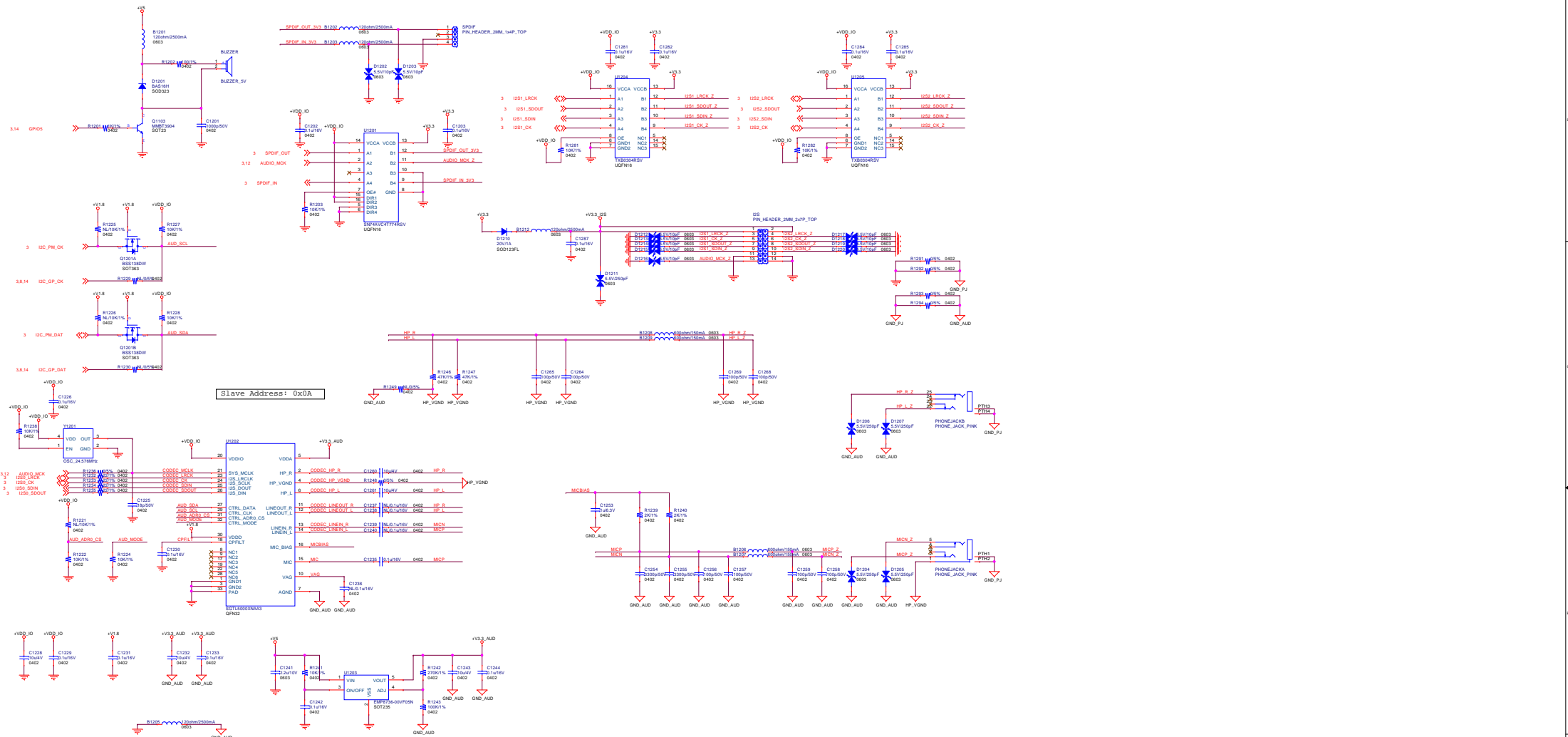


embedan

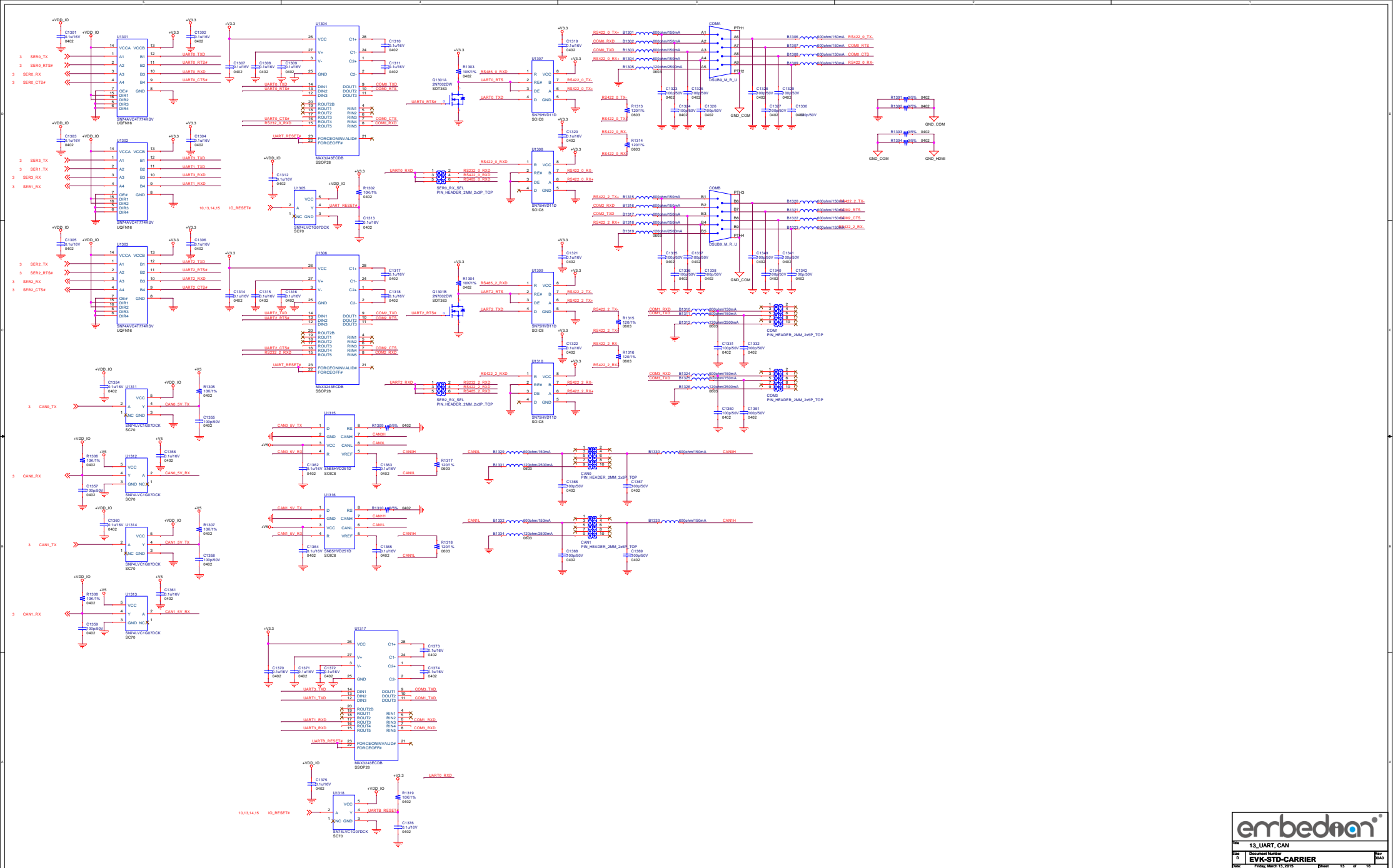
Title		
10_USB_LAN		
Size	Document Number	Rev
C	EVK-STD-CARRIER	00A0
Date:	Friday, March 13, 2015	Sheet 10 of 16

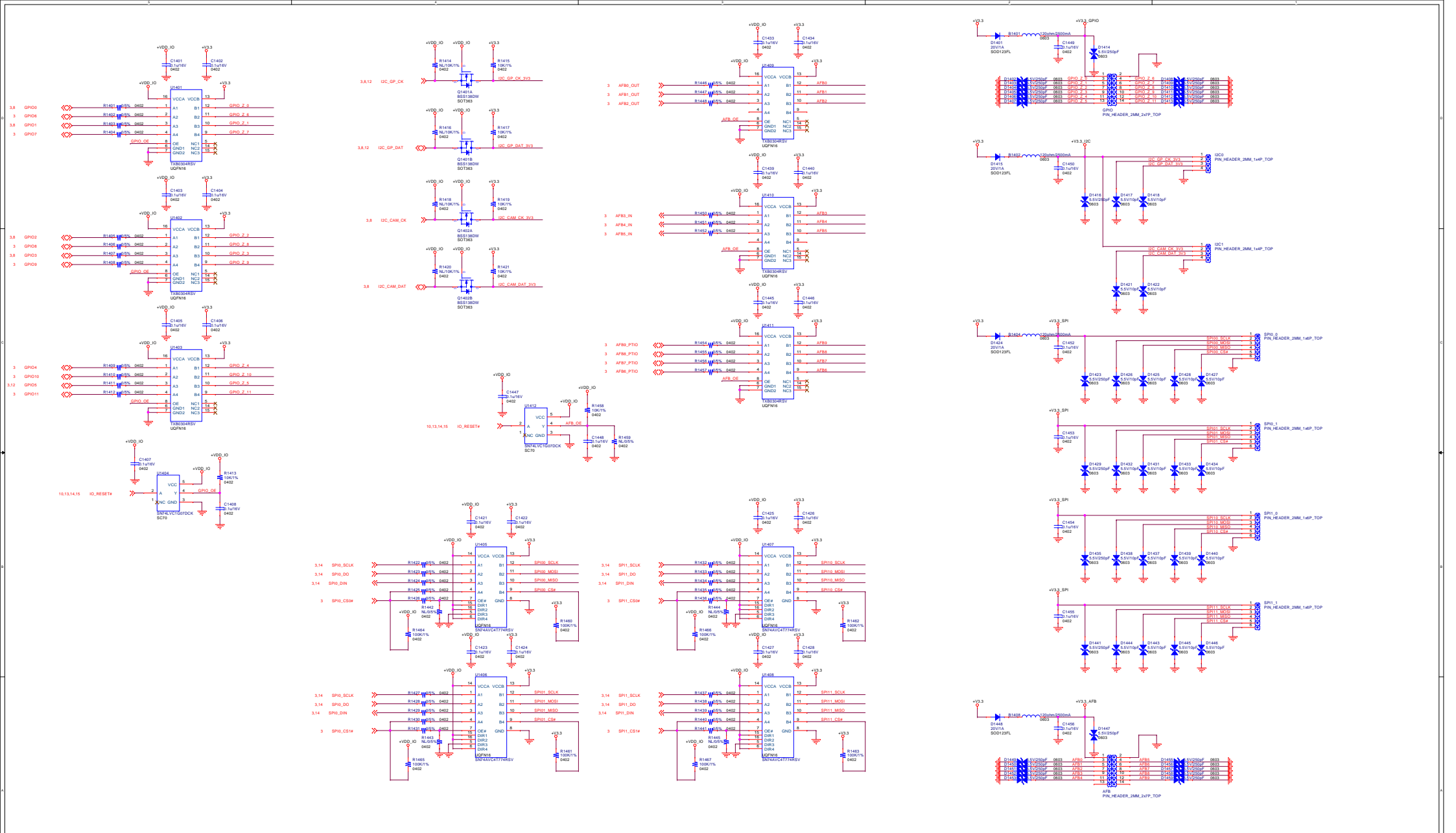
Slave Address: 0x57

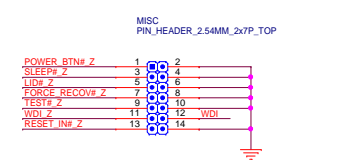
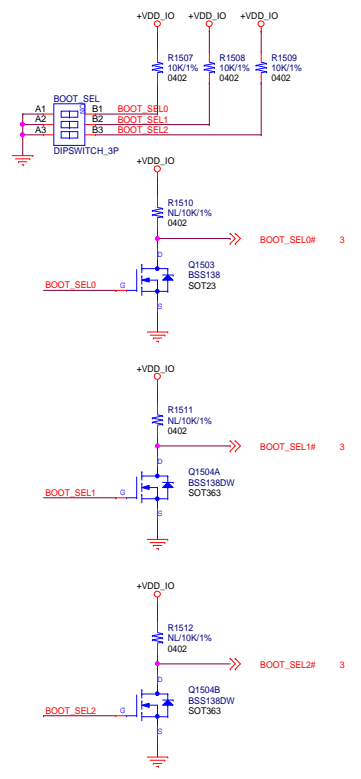
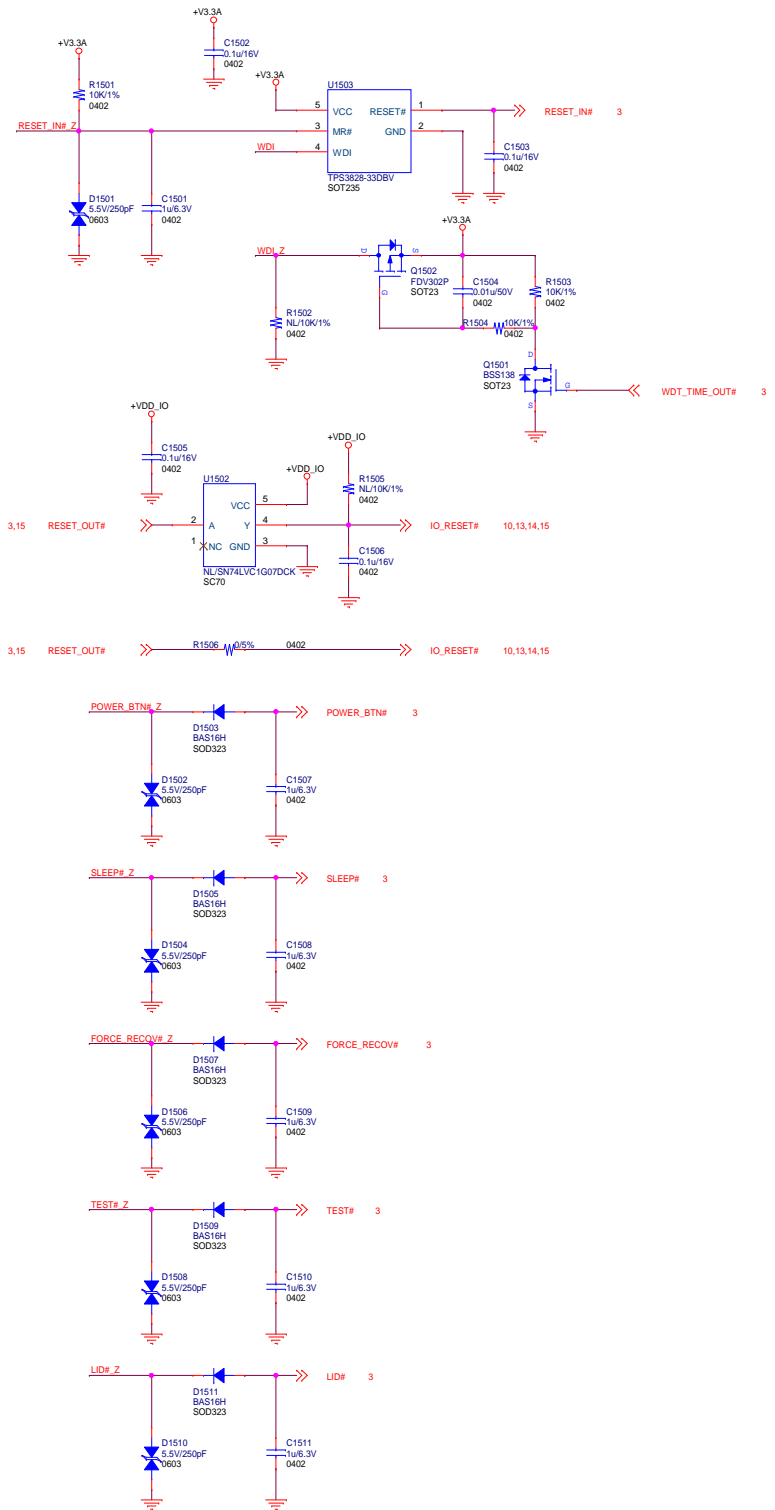




Slave Address: 0x0A







5

4

3

2

1

D

D

C

C

B

B

A

A



Title **16_HISTORY**

Size A	Document Number EVK-STD-CARRIER	Rev 00A0
-----------	---	-------------

Date: **Friday, March 13, 2015** Sheet **16** of **16**

5

4

3

2

1