
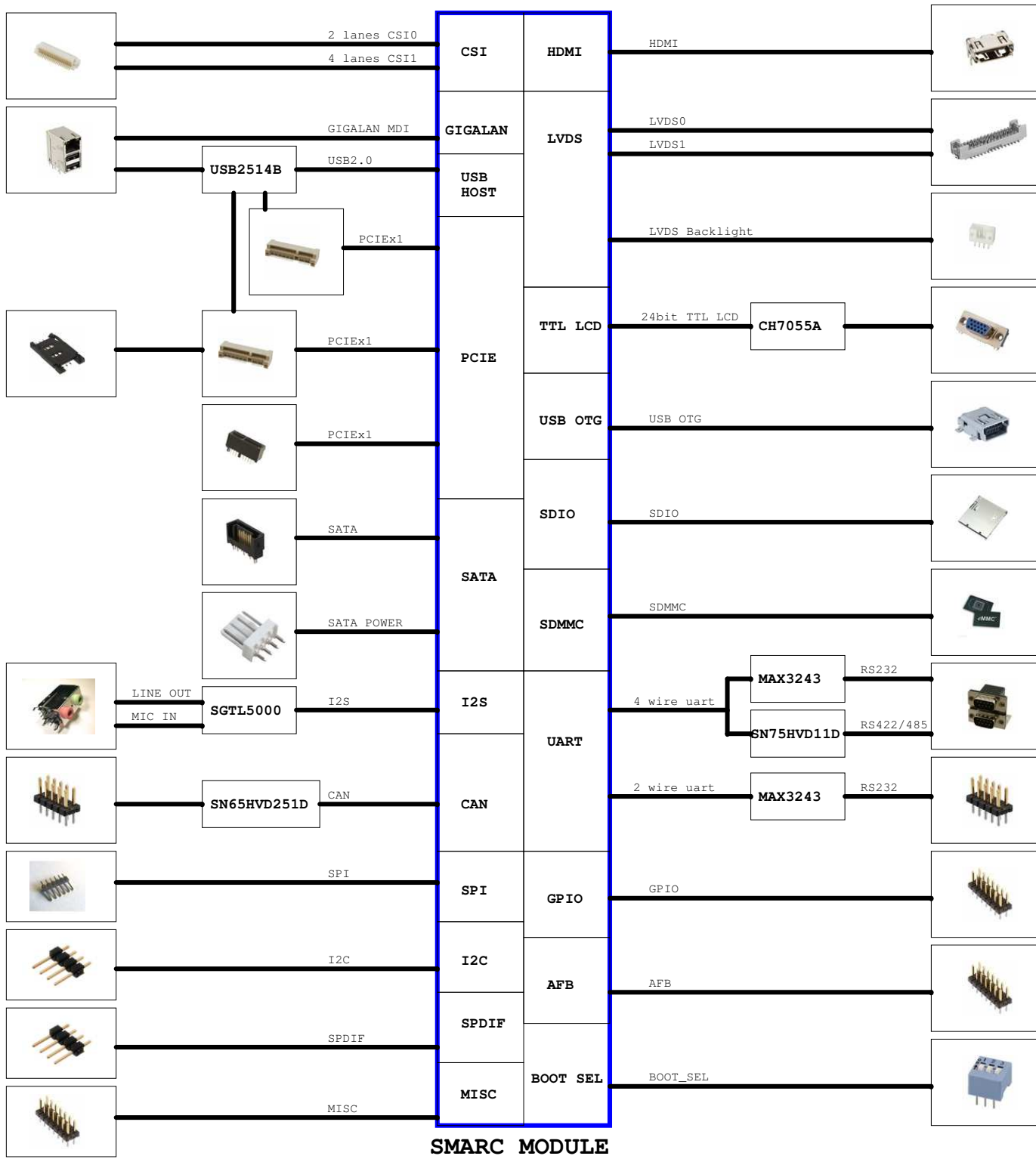
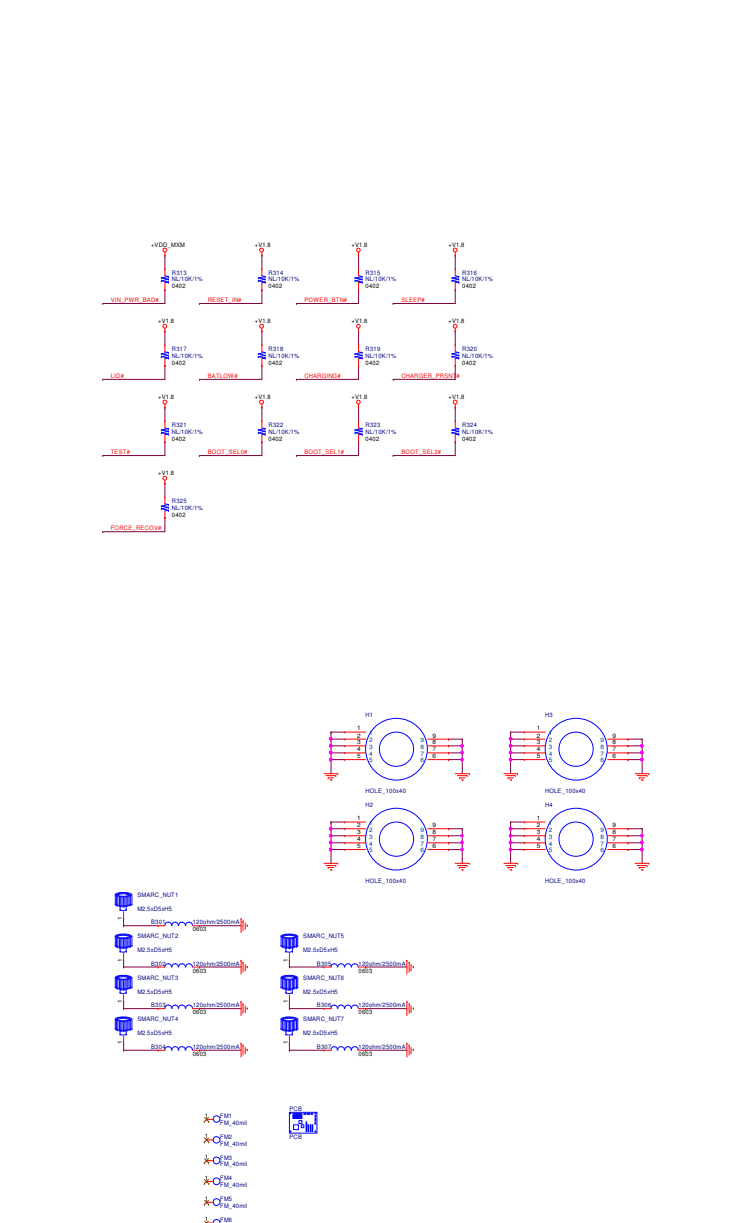
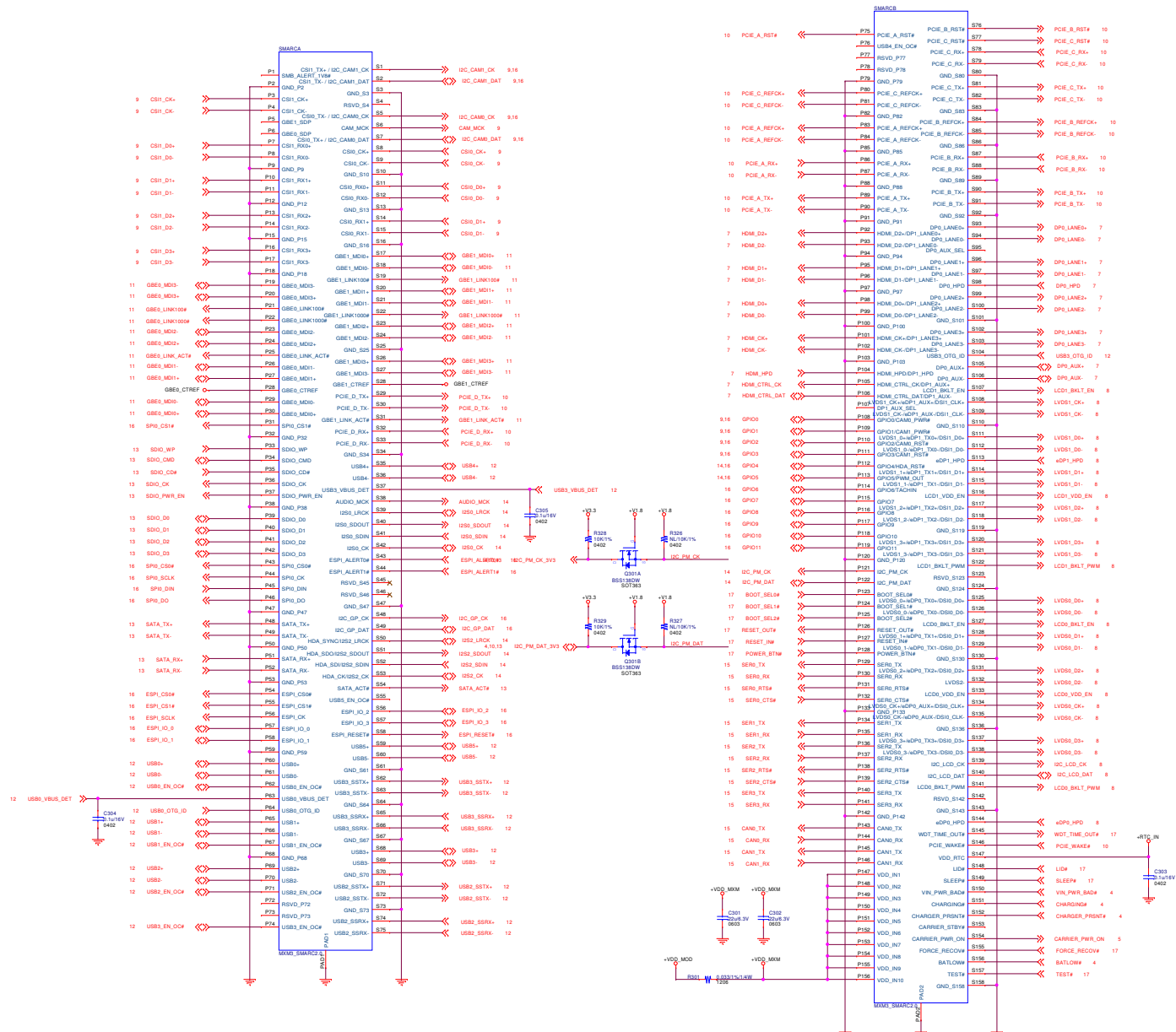


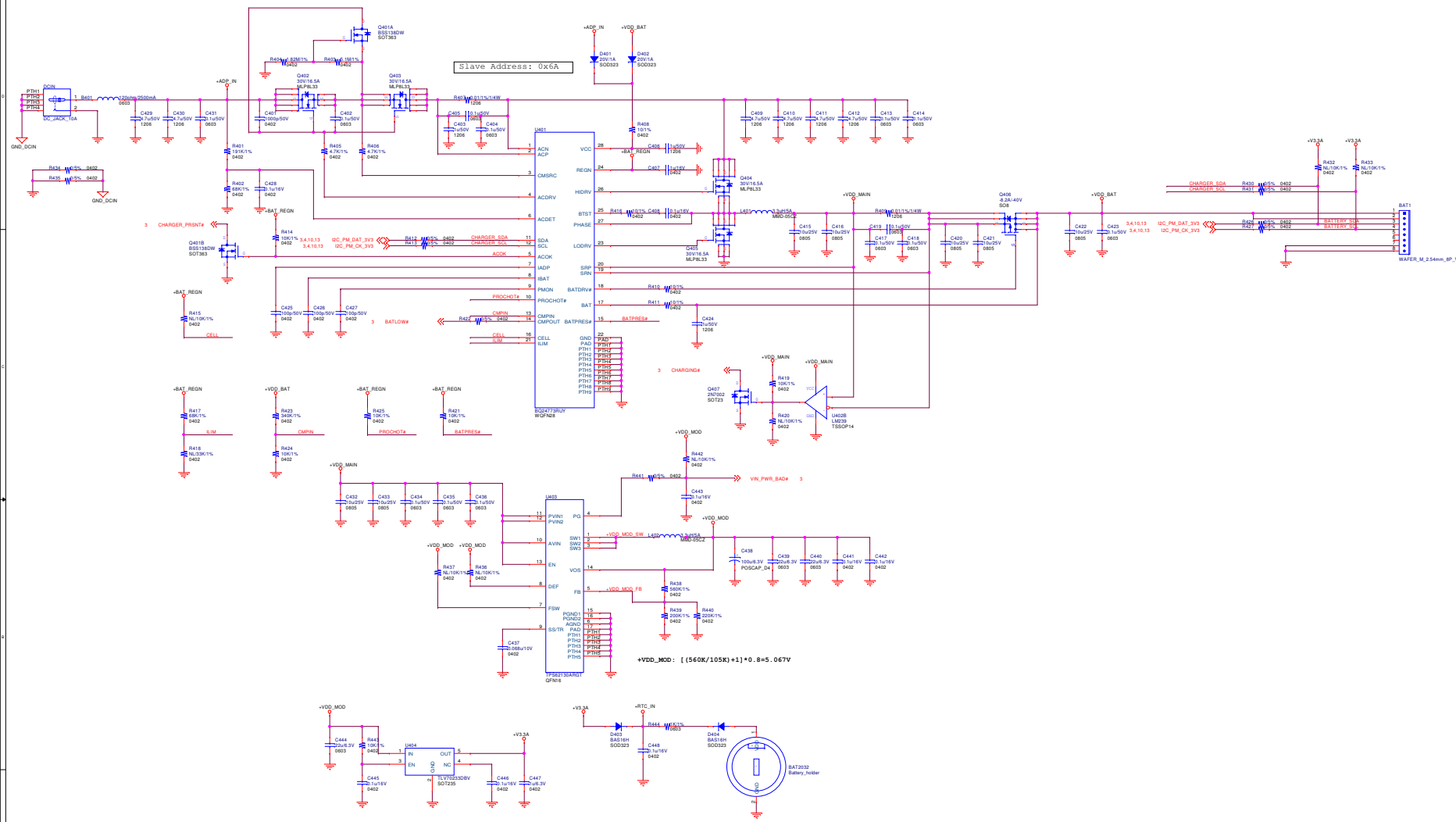
01_COVER_PAGE
02_BLOCK DIAGRAM
03_SMARC MXM3 Connector
04_VIN, SMART Charger & VDD_MOD
05_+V1.8, +V3.3
06_+V5, +V12
07_HDMI, DP
08_LVDS
09_Camera
10_PCIE
11_LAN
12_USB
13_SATA, SD and EEPROM
14_I2S, HDA and buzzer
15_UART, CAN
16_GPIO, I2C, SPI
17_MISC, Button
18_HISTORY

			
Title		01_COVER_PAGE	
Size	Document Number	Rev	
B	EVK-STD-CARRIER-S20	00A0	
Date:	Thursday, January 26, 2017	Sheet	1 of 18



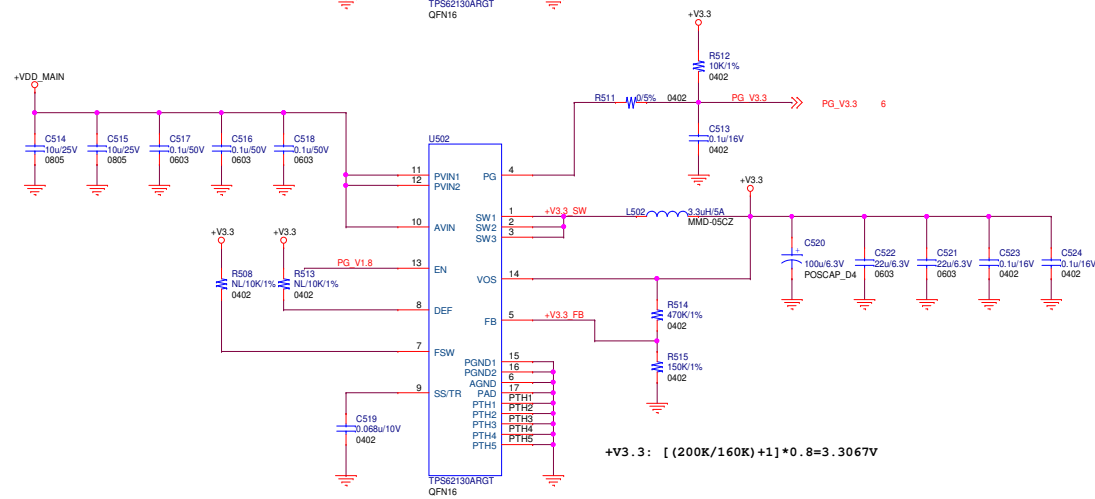
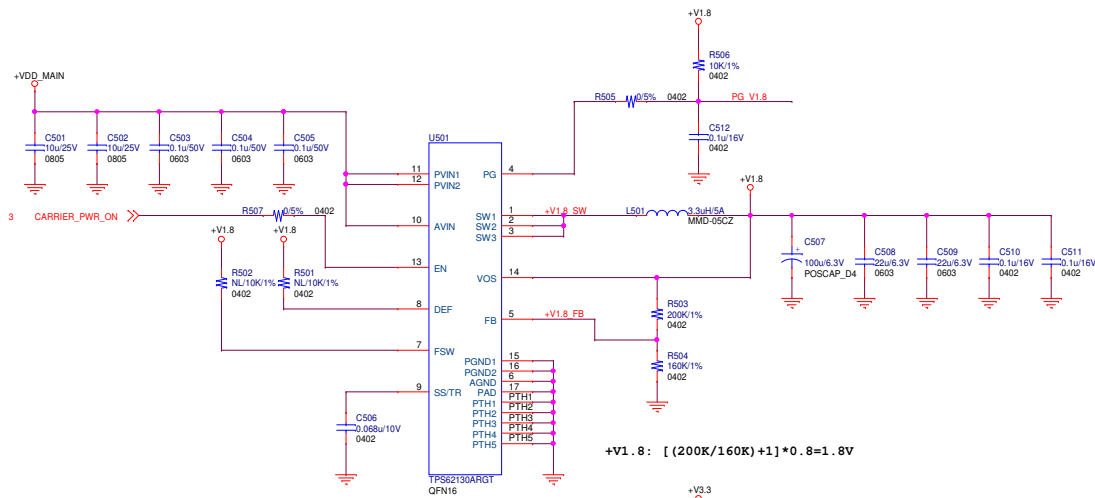
SMARC MODULE

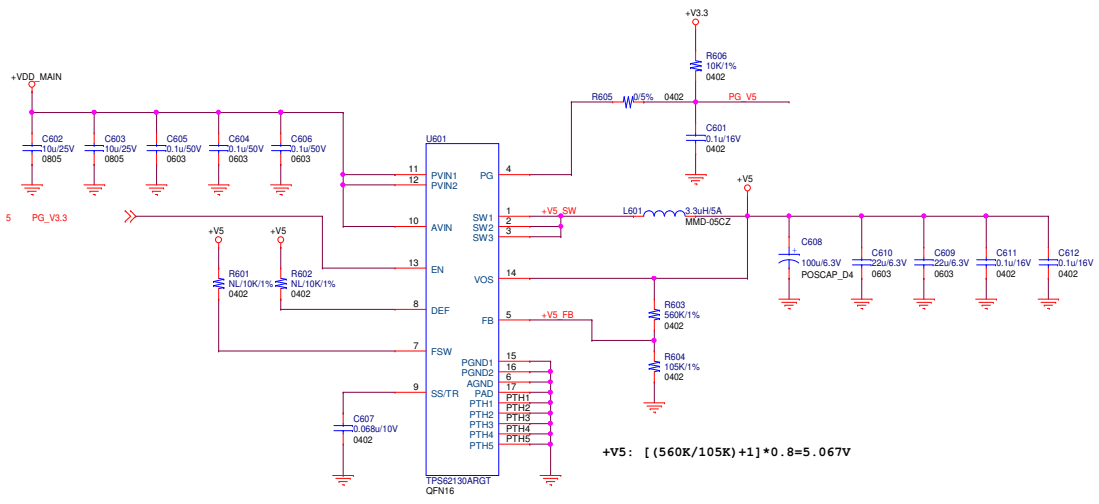




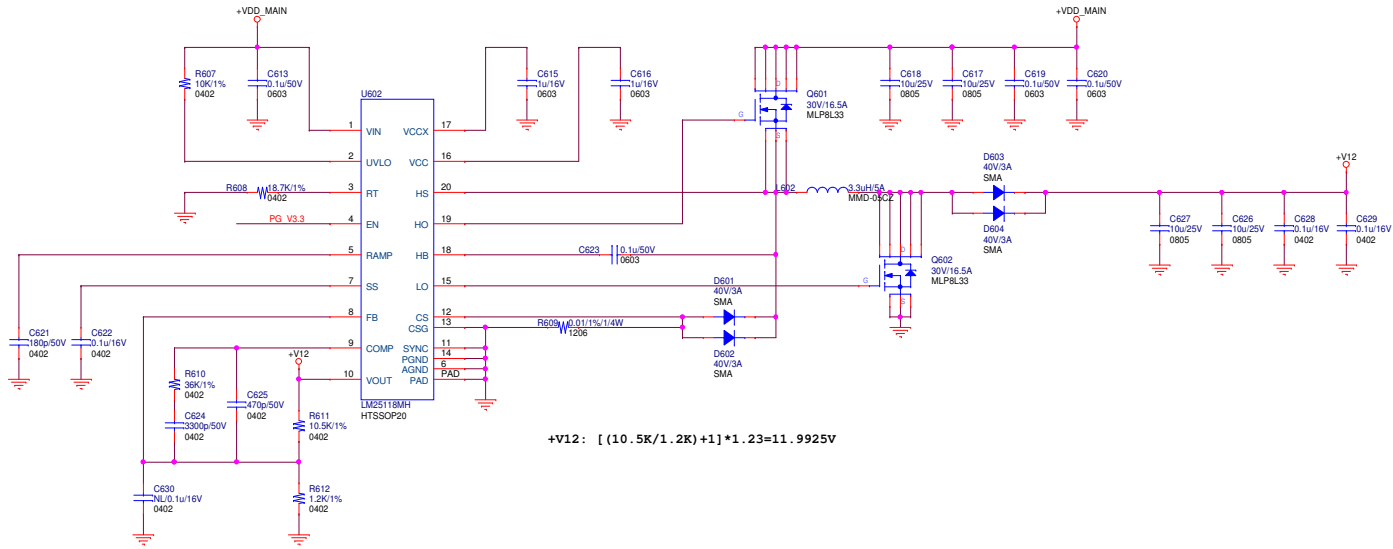
Slave Address: 0x6A

$$+VDD_MOD: [(560K/105K)+1]*0.8=5.067V$$

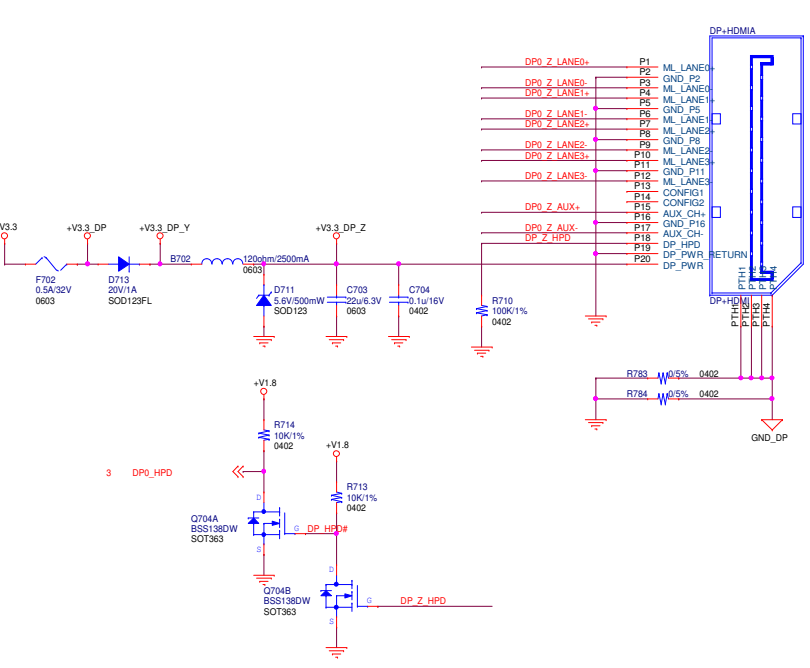
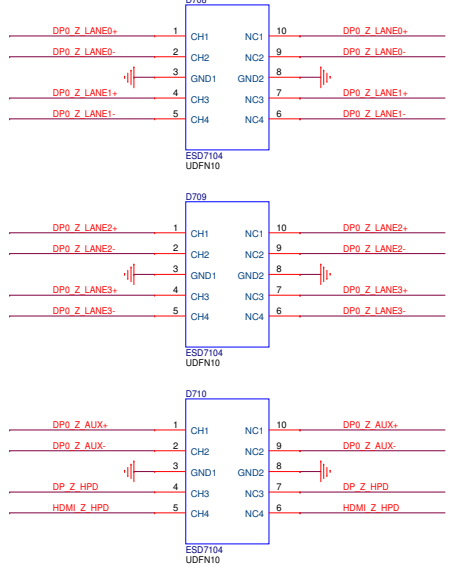
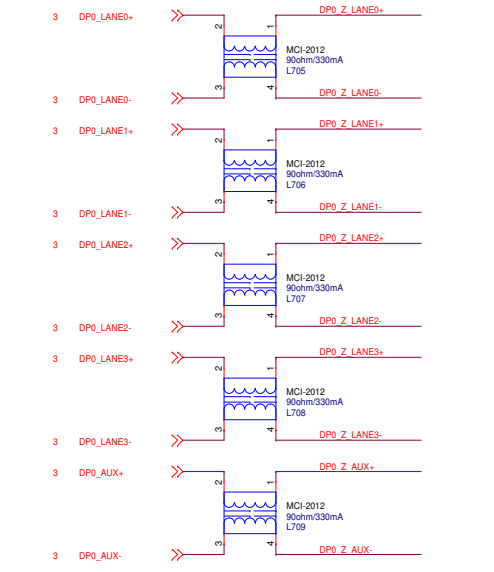
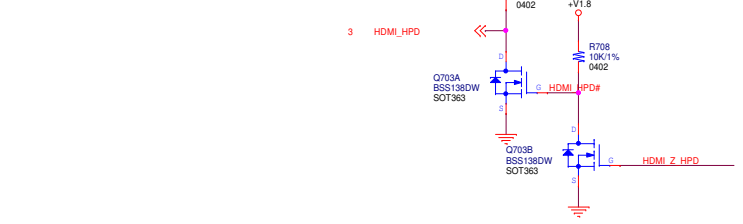
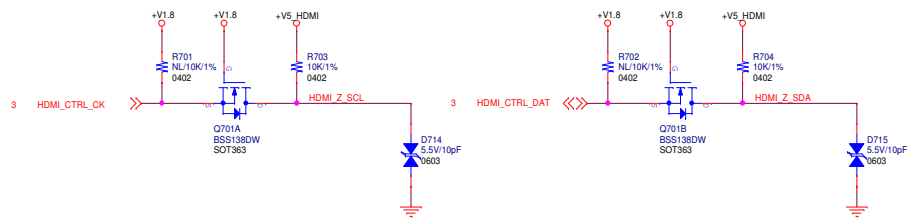
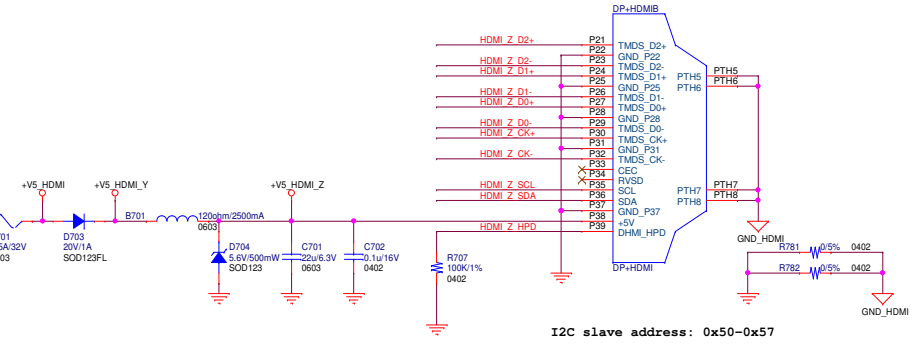
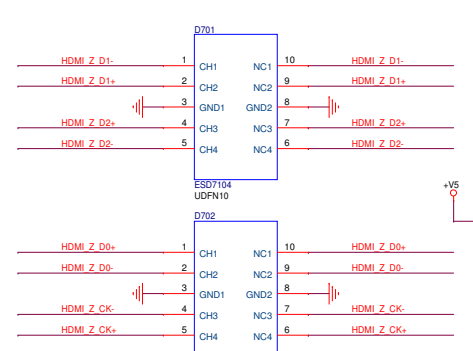
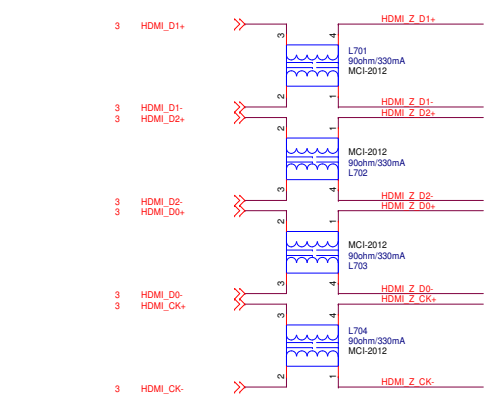


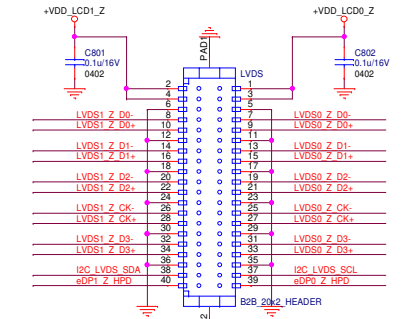
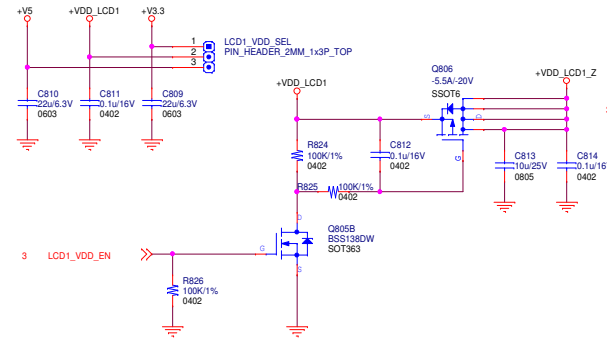
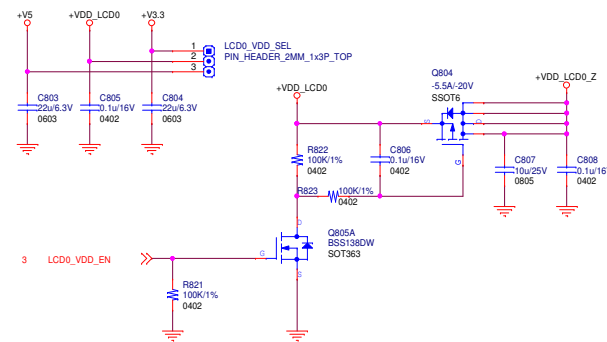
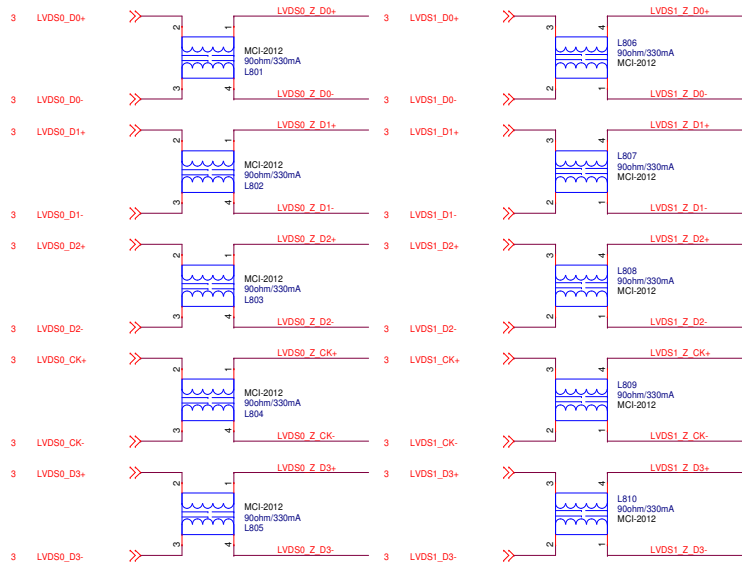


$$+V5: [(560K/105K)+1] * 0.8 = 5.067V$$

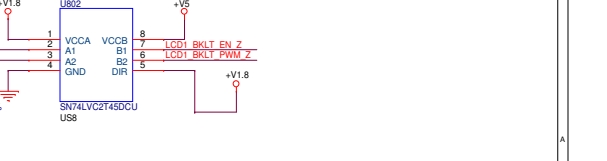
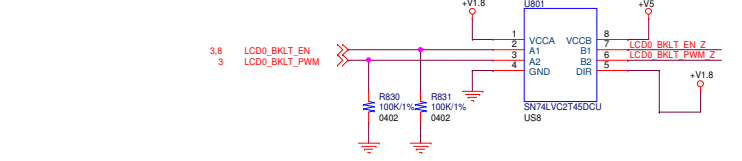
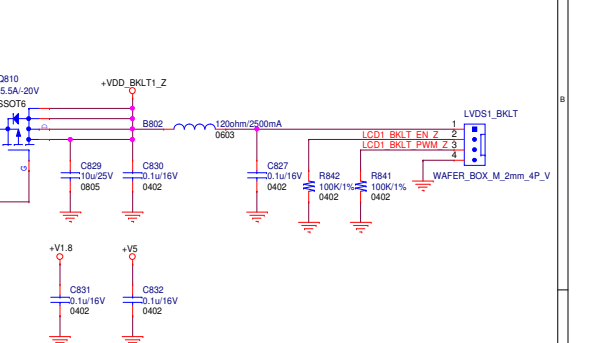
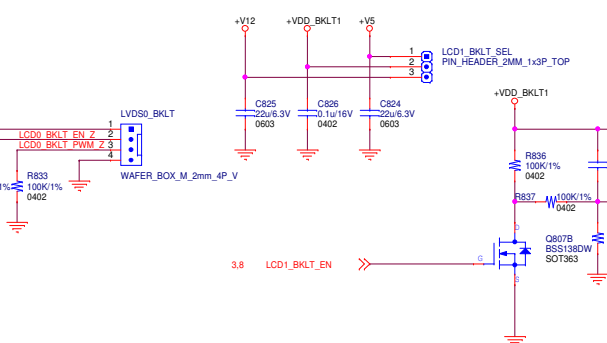
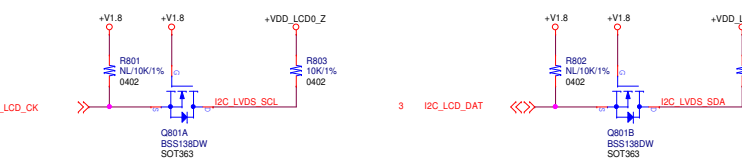
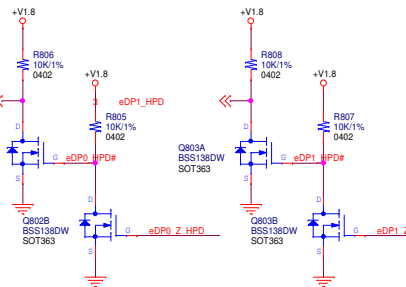


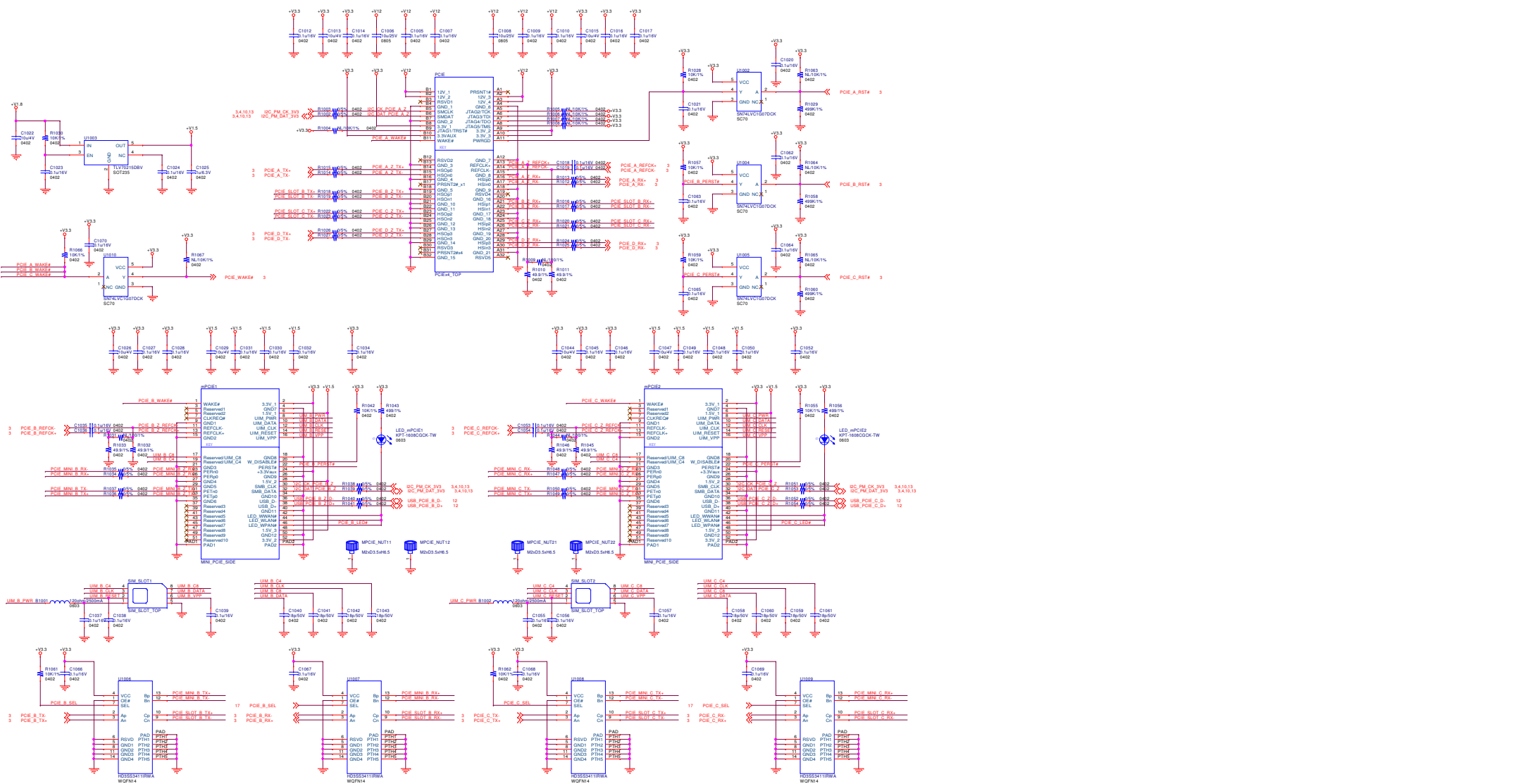
$$+V12: [(10.5K/1.2K)+1] * 1.23 = 11.9925V$$

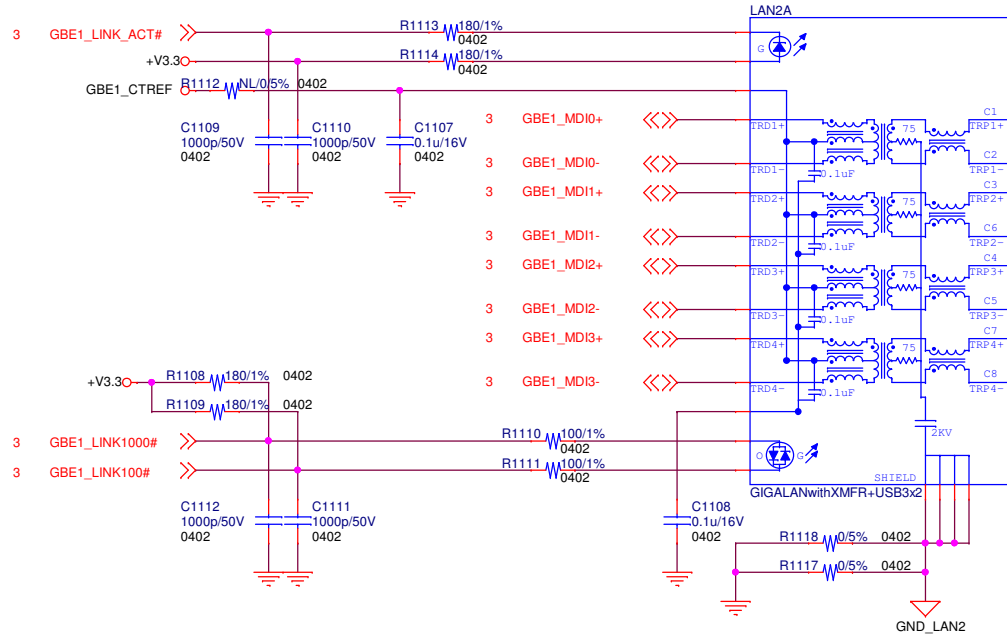
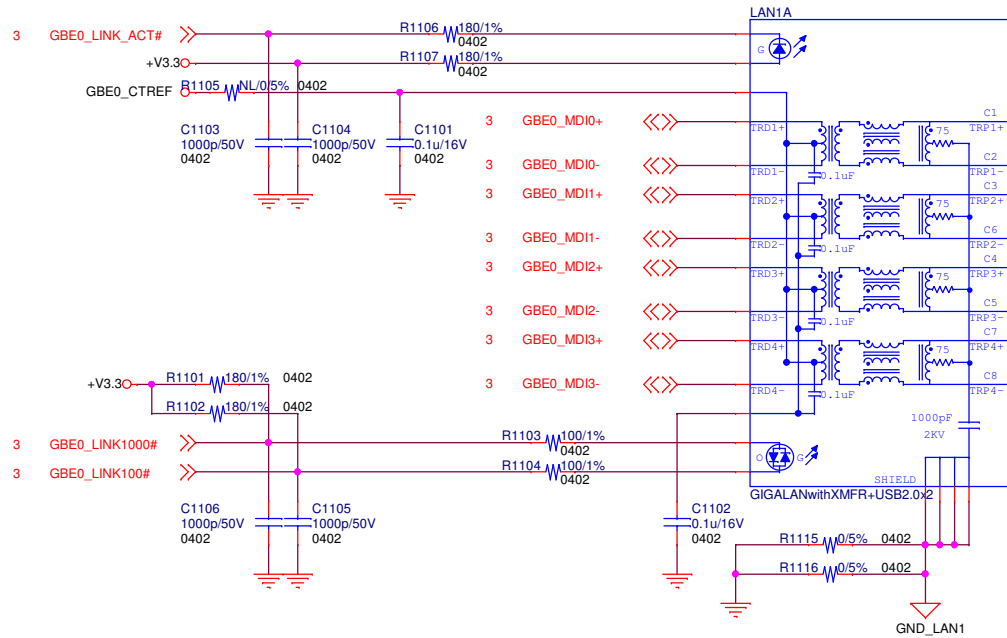




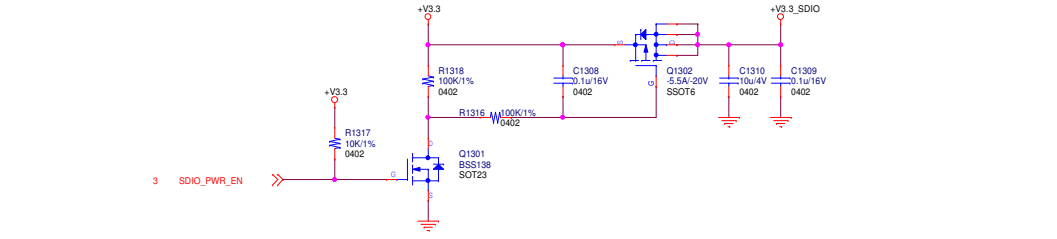
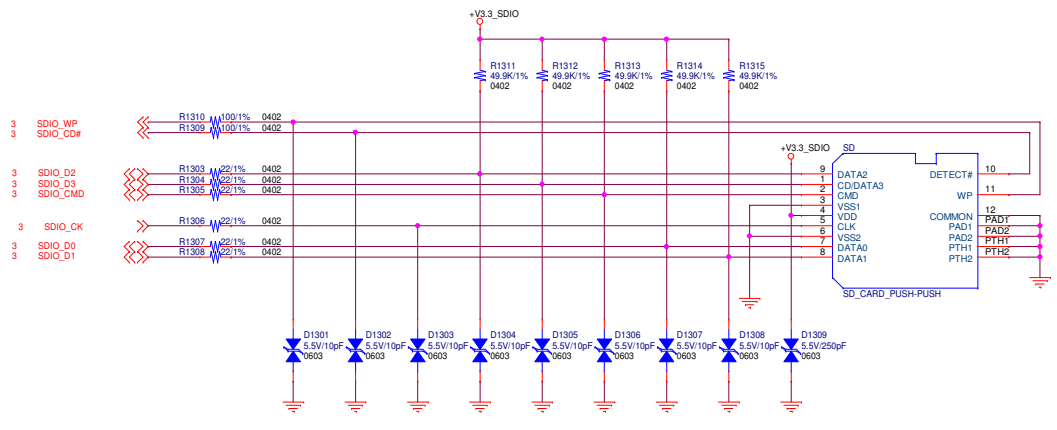
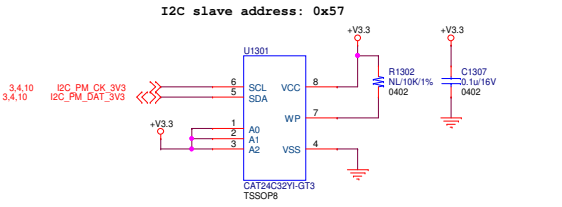
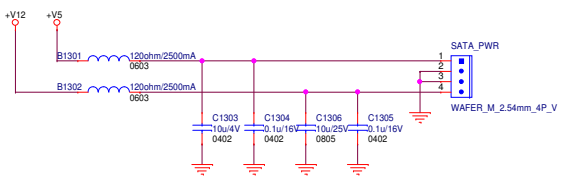
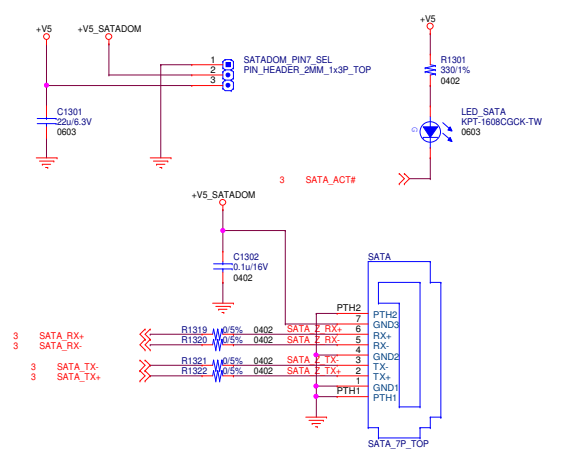
I2C slave address: 0x50-0x57

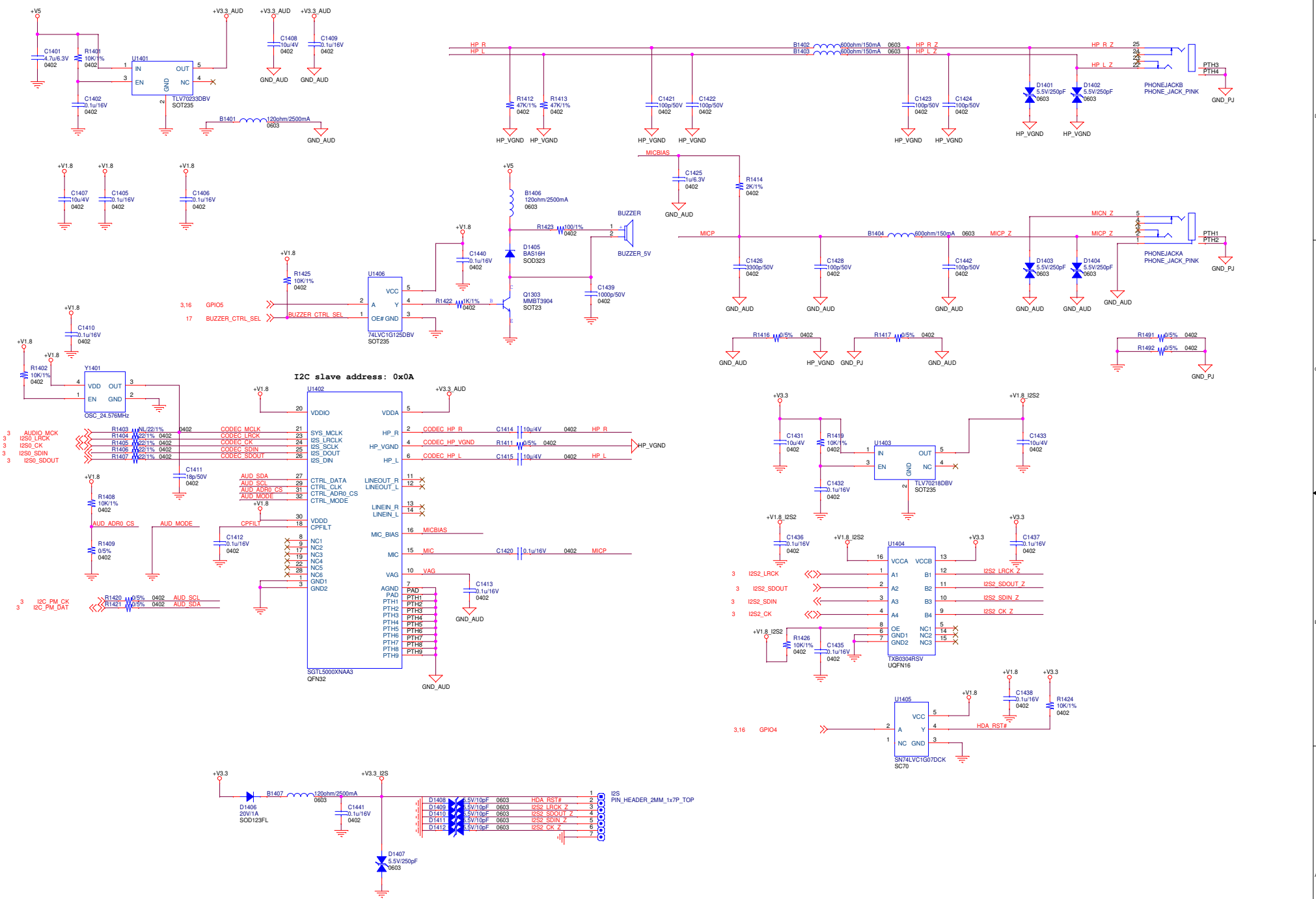


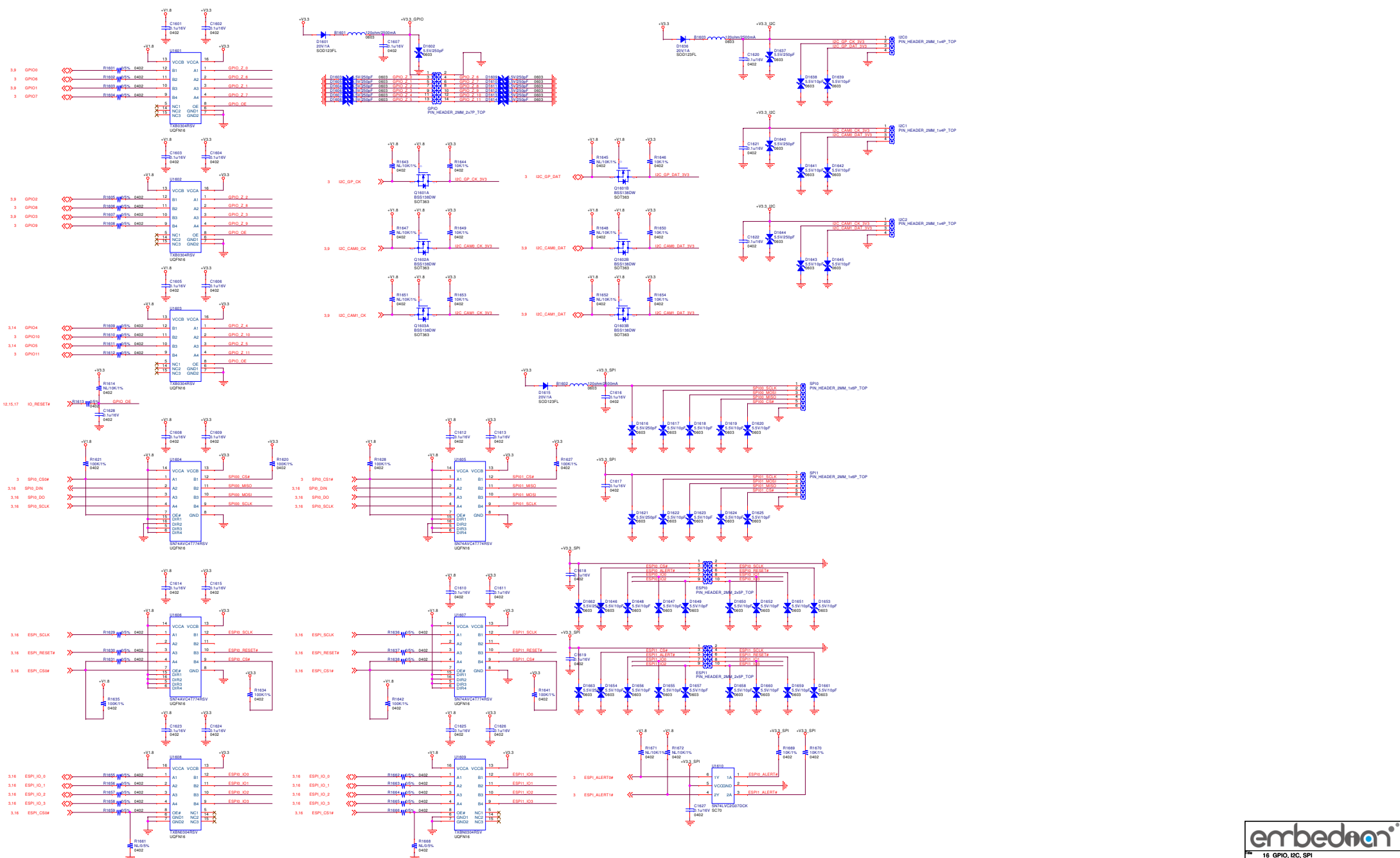


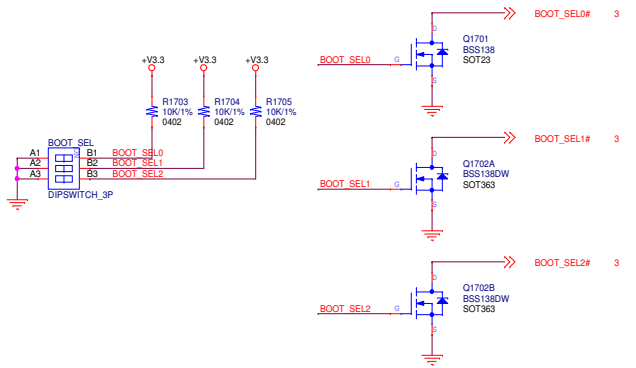
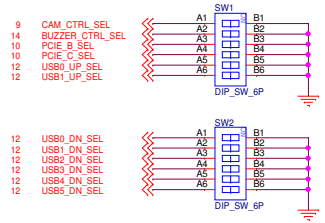
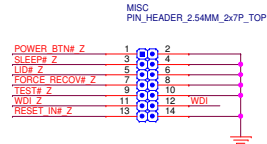
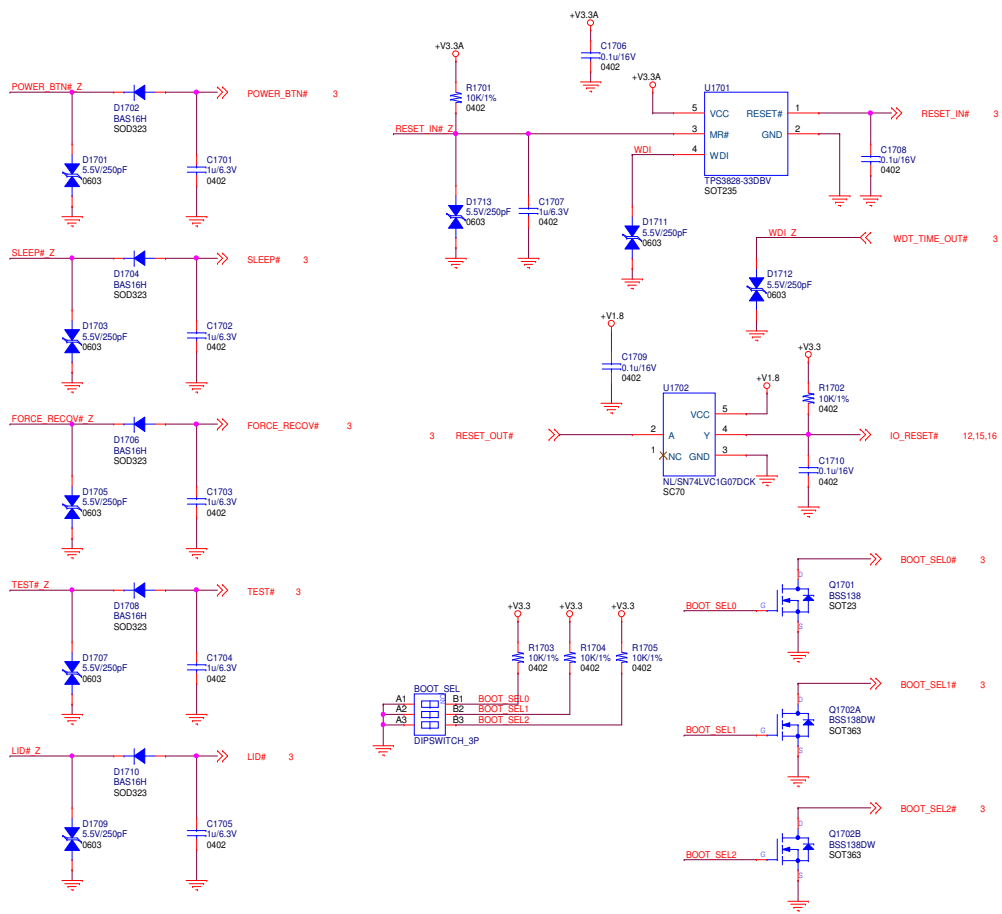


Title 11_LAN		
Size B	Document Number	Rev 00A0
EVK-STD-CARRIER-S20		
Date: Thursday, January 26, 2017	Sheet 11	of 18









5

4

3

2

1

D

D

C

C

B

B

A

A



Title **18_HISTORY**

Size A	Document Number EVK-STD-CARRIER-S20	Rev 00A0
-----------	---	-------------

Date: **Thursday, January 26, 2017** Sheet **18** of **18**

5

4

3

2

1